



Direct Air Convection Built-In Electric
WALL OVEN

SAFETY INFORMATION 2

WARRANTY..... 6

ASSISTANCE / ACCESSORIES... 7

USING THE OVEN

Oven Controls..... 8

Special Features.....10

Sabbath (SabbAtH).....12

Oven Racks13

Aluminum Foil and Oven Liners.....14

Cookware.....14

Cooking Modes.....15

Probe16

Cooking Guide17

CARE AND CLEANING

Control Panel18

Oven Exterior18

Stainless Steel Surfaces.....18

Oven Interior.....18

Oven Racks19

Maintenance 20

TROUBLESHOOTING TIPS..... 22

OWNER'S MANUAL

- PT7050 - 30" Single Wall Oven
- PT9050 - 30" Single Wall Oven
- CT9050 - 30" Single Wall Oven
- PT7550 - 30" Double Wall Oven
- PT9550 - 30" Double Wall Oven
- CT9550 - 30" Double Wall Oven

Write the model and serial numbers here:

Model # _____

Serial # _____

You can find them on a label on the side trim or on the front of the (lower) oven behind the oven door.

ESPAÑOL

Para consultar una version en español de este manual de instrucciones, visite nuestro sitio de internet GEAppliances.com.

IMPORTANT SAFETY INFORMATION

READ ALL INSTRUCTIONS BEFORE USING THE APPLIANCE

⚠ WARNING Read all safety instructions before using the product. Failure to follow these instructions may result in fire, electrical shock, serious injury or death.

STATE OF CALIFORNIA PROPOSITION 65 WARNINGS

⚠ WARNING This product contains one or more chemicals known to the State of California to cause cancer, birth defects or other reproductive harm.

Self-clean electric ovens: Self clean ovens can cause low level exposure to some of the Proposition 65 substances, including carbon monoxide, during the cleaning cycle. Exposure to these substances can be minimized by opening a window or using a ventilation fan or hood.

⚠ WARNING GENERAL SAFETY INSTRUCTIONS

- Use this appliance only for its intended purpose as described in this Owner's Manual.
- Be sure your appliance is properly installed and grounded by a qualified installer in accordance with the provided installation instructions.
- Do not attempt to repair or replace any part of your oven unless it is specifically recommended in this manual. All other servicing should be performed by a qualified technician.
- Before performing any service, disconnect the power supply at the household distribution panel by removing the fuse or switching off the circuit breaker.
- Do not leave children alone—children should not be left alone or unattended in an area where an appliance is in use. They should never be allowed to climb, sit or stand on any part of the appliance.
- **⚠ CAUTION** Do not store items of interest to children in cabinets above an oven - children climbing on the oven to reach items could be seriously injured.
- Use only dry pot holders—moist or damp pot holders on hot surfaces may result in burns from steam. Do not let pot holders touch hot heating elements. Do not use a towel or other bulky cloth in place of pot holders.
- Never use your appliance for warming or heating the room.
- Do not touch the heating elements or the interior surface of the oven. These surfaces may be hot enough to burn even though they are dark in color. During and after use, do not touch, or let clothing or other flammable materials contact any interior area of the oven; allow sufficient time for cooling first. Other surfaces of the appliance may become hot enough to cause burns. Potentially hot surfaces include the oven vent opening, surfaces near the opening and crevices around the oven door.
- Do not heat unopened food containers. Pressure could build up and the container could burst, causing an injury.
- Do not use any type of foil or liner to cover the oven bottom or anywhere in the oven, except as described in this manual. Oven liners can trap heat or melt, resulting in damage to the product and risk of shock, smoke or fire.
- Avoid scratching or impacting glass doors or control panels. Doing so may lead to glass breakage. Do not cook on a product with broken glass. Shock, fire or cuts may occur.
- Cook meat and poultry thoroughly—meat to at least an internal temperature of 160°F and poultry to at least an internal temperature of 180°F. Cooking to these temperatures usually protects against foodborne illness.

READ AND SAVE THESE INSTRUCTIONS

IMPORTANT SAFETY INFORMATION

READ ALL INSTRUCTIONS BEFORE USING THE APPLIANCE

▲WARNING KEEP FLAMMABLE MATERIALS AWAY FROM THE OVEN

Failure to do so may result in fire or personal injury.

- Do not store or use flammable materials in or near an oven, including paper, plastic, pot holders, linens, wall coverings, curtains, drapes and gasoline or other flammable vapors and liquids.
- Never wear loose-fitting or hanging garments while using the appliance. These garments may ignite if they contact hot surfaces, causing severe burns.
- Do not let cooking grease or other flammable materials accumulate in or near the oven. Grease in the oven or near the oven may ignite.

▲WARNING IN THE EVENT OF A FIRE, TAKE THE FOLLOWING STEPS TO PREVENT INJURY AND FIRE SPREADING

- Do not use water on grease fires. Never pick up a flaming pan.
- If there is a fire in the oven during baking, smother the fire by closing the oven door and turning the oven off or by using a multi-purpose dry chemical or foam-type fire extinguisher.
- If there is a fire in the oven during self-clean, turn the oven off and wait for the fire to go out. Do not force the door open. Introduction of fresh air at self-clean temperatures may lead to a burst of flame from the oven.

▲WARNING OVEN SAFETY INSTRUCTIONS

- Stand away from the oven when opening the oven door. Hot air or steam which escapes can cause burns to hands, face and/or eyes.
- Keep the oven vent unobstructed.
- Keep the oven free from grease buildup. Grease in the oven may ignite.
- Place oven racks in desired location while oven is cool. If rack must be moved while oven is hot, do not let pot holder contact hot heating element in oven.
- When using cooking or roasting bags in the oven, follow the manufacturer's directions.
- Pulling out the standard racks to their stop-locks or the extension rack to its fully open position is a convenience in lifting heavy foods. It is also a precaution against burns from touching hot surfaces of the door or oven walls.
- Do not leave items such as paper, cooking utensils or food in the oven when not in use. Items stored in an oven can ignite.
- Never place cooking utensils, pizza or baking stones, or any type of foil or liner on the oven floor. These items can trap heat or melt, resulting in damage to the product and risk of shock, smoke or fire.

▲WARNING SELF-CLEANING OVEN SAFETY INSTRUCTIONS

The self-cleaning feature operates the oven at temperatures high enough to burn away food soils in the oven. Follow these instructions for safe operation.

- Do not touch oven surfaces during self-clean operation. Keep children away from the oven during self-cleaning. Failure to follow these instructions may cause burns.
- Before self-cleaning the oven, remove shiny silver colored oven racks (on some models), the probe, any aluminum foil, and any broiler pan, grid, and other cookware. Only porcelain coated oven racks may be left in the oven.

READ AND SAVE THESE INSTRUCTIONS

IMPORTANT SAFETY INFORMATION

READ ALL INSTRUCTIONS BEFORE USING THE APPLIANCE

▲WARNING SELF-CLEANING OVEN SAFETY INSTRUCTIONS (Cont.)

- Before operating the self-clean cycle, wipe grease and food soils from the oven. Excessive amount of grease may ignite, leading to smoke damage to your home.
- If the self-cleaning mode malfunctions, turn the oven off and disconnect the power supply. Have it serviced by a qualified technician.
- Do not clean the door gasket. The door gasket is essential for a good seal. Care should be taken not to rub, damage or move the gasket.
- Do not use oven cleaners. No commercial oven cleaner or oven liner protective coating of any kind should be used in or around any part of the oven.

The remote enable equipment installed on this oven has been tested and found to comply with the limits for a Class B digital device, pursuant to part 15 of the FCC Rules. These limits are designed to:

(a) provide reasonable protection against harmful interference in a residential installation. This equipment generates, uses and can radiate radio frequency energy and, if not installed and used in accordance with the instructions, may cause harmful interference to radio communications. However, there is no guarantee that interference will not occur in a particular installation. If this equipment does cause harmful interference to radio or television reception, which can be determined by turning the equipment off and on, the user is encouraged to try to correct the interference by one or more of the following measures:

- Reorient or relocate the receiving antenna.
- Increase the separation between the equipment and receiver.
- Connect the equipment into an outlet on a circuit different from that to which the receiver is connected.
- Consult the dealer or an experienced radio/TV technician for help.

(b) accept any interference received, including interference that may cause undesired operation of the device.

Note that any changes or modifications to the wireless communication device installed on this oven that are not expressly approved by the manufacturer could void the user's authority to operate the equipment.

READ AND SAVE THESE INSTRUCTIONS

Notes

Thank You! ... for your purchase of a GE Appliances Brand appliance.

Register Your Appliance: Register your new appliance online at your convenience!

www.geappliances.com/service_and_support/register/

Timely product registration will allow for enhanced communication and prompt service under the terms of your warranty, should the need arise. You may also mail in the pre-printed registration card included in the packing material.

GE Electric Range Warranty

GEAppliances.com

All warranty service is provided by our Factory Service Centers, or an authorized Customer Care® technician. To schedule service online, visit us at www.geappliances.com/service_and_support/, or call GE Appliances at 800.GE.CARES (800.432.2737). Please have your serial number and your model number available when calling for service.

Servicing your appliance may require the use of the onboard data port for diagnostics. This gives a GE Appliances factory service technician the ability to quickly diagnose any issues with your appliance and helps GE Appliances improve its products by providing GE Appliances with information on your appliance. If you do not want your appliance data to be sent to GE Appliances, please advise your technician not to submit the data to GE Appliances at the time of service.

| For the period of | GE Appliances will replace |
|---|---|
| One year From the date of the original purchase | Any part of the range which fails due to a defect in materials or workmanship. During this limited one-year warranty , GE Appliances will provide, free of charge , all labor and in-home service to replace the defective part. |

What GE Appliances will not cover:

- Service trips to your home to teach you how to use the product.
- Improper installation, delivery or maintenance.
- Failure of the product if it is abused, misused, modified or used for other than the intended purpose or used commercially.
- Replacement of house fuses or resetting of circuit breakers.
- Damage to the product caused by accident, fire, floods or acts of God.
- Incidental or consequential damage caused by possible defects with this appliance.
- Damage caused after delivery.
- Product not accessible to provide required service.
- Service to repair or replace light bulbs, except for LED lamps.

Staple your receipt here. Proof of the original purchase date is needed to obtain service under the warranty.

EXCLUSION OF IMPLIED WARRANTIES

Your sole and exclusive remedy is product repair as provided in this Limited Warranty. Any implied warranties, including the implied warranties of merchantability or fitness for a particular purpose, are limited to one year or the shortest period allowed by law.

This warranty is extended to the original purchaser and any succeeding owner for products purchased for home use within the USA. If the product is located in an area where service by a GE Appliances Authorized Servicer is not available, you may be responsible for a trip charge or you may be required to bring the product to an Authorized GE Appliances Service location for service. In Alaska, the warranty excludes the cost of shipping or service calls to your home. Some states do not allow the exclusion or limitation of incidental or consequential damages. This warranty gives you specific legal rights, and you may also have other rights which vary from state to state. To know what your legal rights are, consult your local or state consumer affairs office or your state's Attorney General.

Warrantor: GE Appliances

Extended Warranties: Purchase a GE Appliances extended warranty and learn about special discounts that are available while your warranty is still in effect. You can purchase it online anytime at

www.geappliances.com/service_and_support/shop-for-extended-service-plans.htm

or call 800.626.2224 during normal business hours. GE Appliances Service will still be there after your warranty expires.

Have a question or need assistance with your appliance?

Try the GE Appliances website (www.geappliances.com/service_and_support/) 24 hours a day, any day of the year! For greater convenience and faster service, you can now download Owner's Manuals, order parts, or even schedule service online.

Schedule Service: Expert GE Appliances repair service is only one step away from your door. Schedule your service online at www.geappliances.com/service_and_support/ or call GE Appliances at 800.GE.CARES (800.432.2737) during normal business hours.

Parts and Accessories: Individuals qualified to service their own appliances can have parts or accessories sent directly to their homes (VISA, MasterCard and Discover cards are accepted). Order online today, 24 hours every day or by phone at 800.626.2002 during normal business hours.

Instructions contained in this manual cover procedures to be performed by any user. Other servicing generally should be referred to qualified service personnel. Caution must be exercised, since improper servicing may cause unsafe operation.

Real Life Design Studio: GE Appliances supports the Universal Design concept of products, services and environments that can be used by people of all ages, sizes and capabilities. We recognize the need to design for a wide range of physical and mental abilities and impairments. For details of GE Appliances' Universal Design applications, including kitchen design ideas for people with disabilities, check out our website today. For the hearing impaired, please call 800.TDD.GEAC (800.833.4322).

Contact Us: Contact us on our website with all the details including your phone number, or write to:

General Manager, Customer Relations
GE Appliances, Appliance Park Louisville, KY 40225

Accessories

Looking For Something More?

GE Appliances offers a variety of accessories to improve your cooking and maintenance experiences!

To place an order visit us online at:

www.GEApplianceParts.com (U.S.) or www.GEAppliances.ca (Canada)
 or call **800.626.2002** (U.S.) **800.661.1616** (Canada)

The following products and more are available:

Accessories

| | |
|---|---|
| Small Broiler Pan (8 ¾" x 1 ¼" x 13 ½") | WB48X10055 (US) 222D2097G001 (Canada) |
| Large* Broiler Pan (12 ¾" x 1 ¼" x 16 ½") | WB48X10056 (US) 222D2097G002 (Canada) |
| XL** Broiler Pan (17" x 1 ¼" x 19 1/4") | WB48X10057 (US) Not available in Canada |

Parts

| | |
|---------------|----------------------------|
| Oven racks | Part numbers vary by model |
| Oven elements | Part numbers vary by model |
| Light bulbs | Part numbers vary by model |
| Probe | Part numbers vary by model |

Cleaning Supplies

| | |
|---|------------|
| CitruShine Stainless Steel Wipes | WX10X10007 |
| CeramaBryte Stainless Steel Appliance Cleaner | PM10X311 |
| Graphite Lubricant | WB02T10303 |

*The large broiler pan does not fit in 20"/24" ranges.

**The XL broiler pan does not fit in 24" wall ovens, 27" drop ins or 20"/24" ranges

How to Remove Protective Shipping Film and Packaging Tape

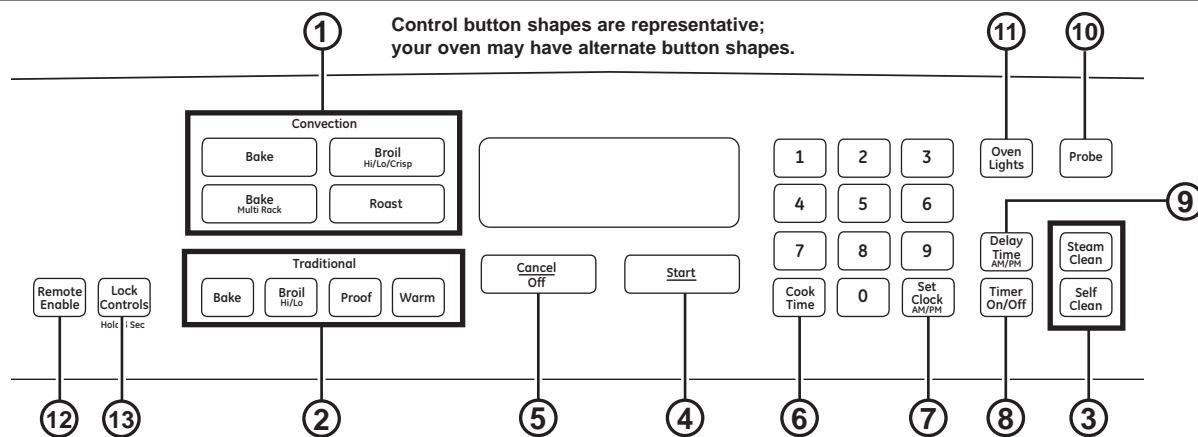
Carefully grasp a corner of the protective shipping film with your fingers and slowly peel it from the appliance surface. Do not use any sharp items to remove the film. Remove all of the film before using the appliance for the first time.

To assure no damage is done to the finish of the

product, the safest way to remove the adhesive from packaging tape on new appliances is an application of a household liquid dishwashing detergent. Apply with a soft cloth and allow to soak.

NOTE: The adhesive must be removed from all parts. It cannot be removed if it is baked on.

Single Wall Oven



- 1. Convection Cooking Modes:** Convection cooking modes use increased air circulation to improve performance. The type of benefit depends on the mode. Your oven has the following convection cooking modes: Bake, Bake Multi Rack, Roast, Broil Hi, Broil Lo, and Broil Crisp. See the Cooking Modes section for more information.
- 2. Traditional Cooking Modes:** Your oven has the following traditional cooking modes: Bake, Broil Hi, Broil Lo, Proof and Warm. See the Cooking Modes section for more information.
- 3. Clean:** Your oven has two cleaning modes: Self Clean and Steam Clean. See the Cleaning the Oven section for important information about using these modes.
- 4. Start:** Must be pressed to start any cooking, cleaning, or timed function.
- 5. Cancel/Off:** Cancels ALL oven operations except the clock and timer.
- 6. Cook Time:** Counts down cooking time and turns off the oven when the cooking time is complete. Press the **Cook Time** pad, use the number pads to **program a cooking time in hours and minutes**, then press **Start**. This can only be used with Traditional Bake, Convection Bake, Convection Bake Multi, and Convection Roast.
- 7. Clock:** Sets the oven clock time. Press the **Clock** pad and the number pads to **program the clock**. Make sure to select **AM** or **PM**. Press **Start** to save the time.
- 8. Timer:** Works as a countdown timer. Press the **Timer** pad and the number pads to **program the time in hours and minutes**. Press the **Start** pad. The oven will continue to operate when the timer countdown is complete. To turn the timer off press the **Timer** pad.
- 9. Delay Time:** Delays when the oven will turn on. Use this to set a time when you want the oven to start. Press the **Delay Time** pad and use the number pads to program the time of day for the oven to turn on. Press the desired cooking mode and temperature then press **Start**. A cook time may also be programmed if desired. This can only be used with Traditional Bake, Convection Bake, Convection Bake Multi Rack, Convection Roast and Self-Clean.

NOTE: When using the delay time feature, foods that spoil easily—such as milk, eggs, fish, stuffings, poultry and pork—should not be allowed to sit for more than 1 hour before or after cooking. Room temperature promotes the growth of harmful bacteria. Be sure that the oven light is off because heat from the bulb will speed harmful bacteria growth.

- 10. Probe:** Monitors internal food temperature and turns the oven off when the food reaches the programmed temperature. Insert the probe, program the cooking mode, and program the probe temperature. See the Cooking Modes section for more information. The probe can only be used with Traditional Bake, Convection Bake, and Convection Roast.
- 11. Oven Light(s):** Turns the oven light(s) on or off.
- 12. Remote Enable (on some models):**

CONNECTING YOUR OVEN

Off - Oven is not connected. Open the app then press and hold **Remote Enable** pad for 5 seconds to begin the connecting process.

Slow flash - Oven is in discovery mode and looking for a network.

Rapid flash - An error occurred during the connecting process.

Solid - Oven is connected to the network and can be remotely controlled by a connected mobile device when in operation, but it cannot be started remotely.

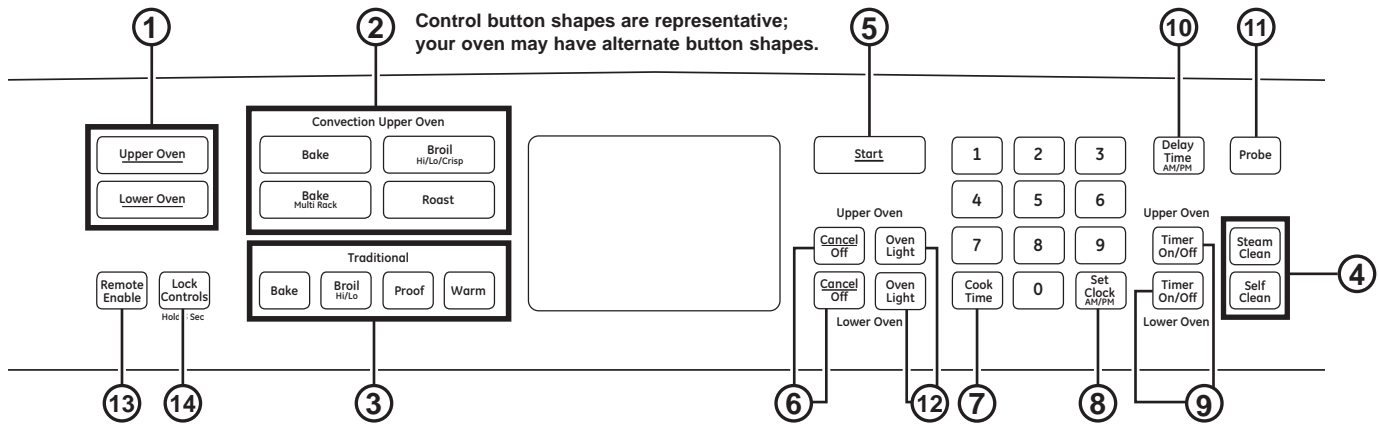
REMOTE STARTING YOUR OVEN REMOTE

To be able to start the oven remotely, press the **Remote Enable** pad and the **REMOTE** icon will turn on in the display. The oven can now be remotely started with a connected device. Opening an oven door or turning off the oven will turn off the **REMOTE** icon. The **REMOTE** icon must be lit to start the oven remotely. The **REMOTE** icon is not required to change the oven settings or to turn the oven off.

After using the oven, remember to verify that the **REMOTE** icon is lit if you wish to start the oven remotely in the future.

- 13. Lock Controls:** Locks out the control so that pressing the pads does not activate the controls. Press and hold the **Lock Controls** pad for three seconds to lock or unlock the control. **Cancel/Off** is always active, even when the control is locked.

Double Wall Oven



- Upper Oven and Lower Oven:** Designates which oven to use. Press the **Upper Oven** or **Lower Oven** pad to select an oven, then press the desired cooking mode pad. The oven control will default to the upper oven.
- Convection Cooking Modes:** Convection cooking modes use increased air circulation to improve performance. The type of benefit depends on the mode. Your oven has the following convection cooking modes: Bake, Bake Multi Rack, Roast, Broil Hi, Broil Lo, and Broil Crisp. See the Cooking Modes section for more information.
- Traditional Cooking Modes:** Your oven has the following traditional cooking modes: Bake, Broil Hi, Broil Lo, Proof and Warm. See the Cooking Modes section for more information.
- Clean:** Your oven has two cleaning modes: Self Clean and Steam Clean. See the Cleaning the Oven section for important information about using these modes.
- Start:** Must be pressed to start any cooking, cleaning, or timed function.
- Cancel/Off:** Cancels ALL oven operations except the clock and timer.
- Cook Time:** Counts down cooking time and turns off the oven when the cooking time is complete. Press the **Cook Time** pad, use the number pads to **program a cooking time in hours and minutes**, then press **Start**. This can only be used with Traditional Bake, Convection Bake, Convection Bake Multi, and Convection Roast.
- Clock:** Sets the oven clock time. Press the **Clock** pad and the number pads to program the clock. Make sure to select **AM** or **PM**. Press **Start** to save the time.
- Timer:** Works as a countdown timer. Press the **Timer** pad and the number pads to **program the time in hours and minutes**. Press the **Start** pad. The oven will continue to operate when the timer countdown is complete. To turn the timer off press the **Timer** pad.
- Delay Time:** Delays when the oven will turn on. Use this to set a time when you want the oven to start. Press the **Delay Time** pad and use the number pads to program the time of day for the oven to turn on. Press the desired cooking mode and temperature then press **Start**. A cook time may also be programmed if desired. This can only be used with Traditional Bake, Convection Bake, Convection Bake Multi Rack, Convection Roast and Self-Clean

NOTE: When using the delay time feature, foods that spoil easily—such as milk, eggs, fish, stuffings, poultry and pork—should not be allowed to sit for more than 1 hour before or after cooking. Room temperature promotes the growth of harmful bacteria. Be sure that the oven light is off because heat from the bulb will speed harmful bacteria growth.

- Probe:** Monitors internal food temperature and turns the oven off when the food reaches the programmed temperature. Select upper or lower, insert the probe, program the cooking mode, and program the probe temperature. See the Cooking Modes section for more information. The probe can only be used with Traditional Bake, Convection Bake, and Convection Roast.
- Oven Light(s):** Turns the oven light(s) on or off.
- Remote Enable (on some models):**

CONNECTING YOUR OVEN

Off - Oven is not connected. Open the app then press and hold **Remote Enable** pad for 5 seconds to begin the connecting process.

Slow flash - Oven is in discovery mode and looking for a network.

Rapid flash - An error occurred during the connecting process.

Solid - Both ovens are connected to the network and can be remotely controlled by a connected mobile device when in operation, but cannot be started remotely

REMOTE STARTING YOUR OVEN **REMOTE**

To be able to start the oven remotely, press the **Remote Enable** pad and the **REMOTE** icon will turn on in the display. Either oven can now be remotely started with a connected device. Opening any oven door or turning off either oven will turn off the **REMOTE** icon. The **REMOTE** icon must be lit to start the oven remotely. The **REMOTE** icon is not required to change the oven settings or to turn either oven off.

After using the oven, remember to verify that the **REMOTE** icon is lit if you wish to start an oven remotely in the future.
- Lock Controls:** Locks out the control so that pressing the pads does not activate the controls. Press and hold the **Lock Controls** pad for three seconds to lock or unlock the control. **Cancel/Off** is always active, even when the control is locked.

Special Features

There are numerous special features that are controlled using the number key pad.

- Degree - Fahrenheit or Celsius temperature display
- End tone - Cycle End Tone
- Sound - Tone Volume
- Setting - Clock Setting
- Auto Recipe - Auto Recipe Conversion (for Convection Baking)
- 12hr shutoff - 12 Hour Shutoff
- Sabbath - Sabbath mode
- Temp Offset - Adjust the oven temperature (Double ovens have upper and lower options)
- Light Bar - Turns the light indicator on or off
- Default - Reset control to factory settings

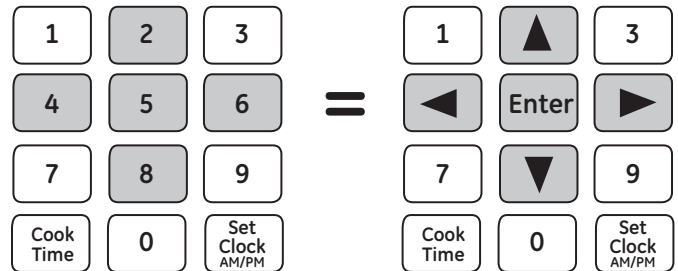
To change the Special Features settings follows these guidelines.

Press and hold the Traditional **Bake** and Traditional **Broil** pads for 3 seconds simultaneously.

When you enter the special features mode:

- The numbers **2** and **8** act as up and down to scroll thru the features and their settings.
- The numbers **4** and **6** act as right and left to change back and forth from scrolling thru the features to changing the feature settings.
- The number **5** acts as an enter pad.

Press and hold the Traditional **Bake** and Traditional **Broil** pads for 3 seconds simultaneously to exit the special feature mode.



Example: Adjusting the Oven Temperature

1. Press and hold the Traditional **Bake** and Traditional **Broil** pads for 3 seconds simultaneously to enter special features mode.
2. Press the number **2** pad until the display reads "UPPER tE-P oFFSEt" (double wall ovens will have a selection for both the upper and lower ovens).
3. Press the number **6** pad to change the special feature setting.
4. Press the number **2** or **8** pads to either increase or decrease the temperature in one degree Fahrenheit increments up to + 35° F or down to -35° F.
5. Press the number **5** pad to save your desired change.
6. Press the number **4** pad to return to the other features.
7. Press and hold the Traditional **Bake** and Traditional **Broil** pads for 3 seconds simultaneously to exit the special feature mode.

Special Features (cont.)

Fahrenheit or Celsius (dEGrEE)

Your oven control is set to use Fahrenheit temperature units but can be changed to use Celsius temperature units if preferred.

Cycle End Tone (End tonE)

This is the tone that signals the end of a timer. You can change it to be one tone (bEEP) or a continuous repeating tone (Con bEEP).

Tone Volume (SoUnd)

This feature allows the oven tone volume to be adjusted between Hi, std (default), Lo and oFF.

Clock Setting (SEtting)

This feature specifies how the time of day will be displayed. Options are for a standard 12-hour clock with AM and PM selections (12 Hr), 24-hour military time display (24 Hr), or for no display (oFF).

Auto Recipe Conversion (AUto rECiPE)

When using Convection Bake or Convection Bake Multi cooking modes, Auto Recipe conversion will automatically reduce the programmed cooking temperature. Note that this option does not convert convection baking times, only temperatures.

12-hour Shutoff (12 Hr SHUtoFF)

When this feature is turned on, the oven will automatically turn off after 12 continuous hours of use.

Adjust the Oven Temperature (UPPEr tE-P oFFSEt)

(Upper and Lower on some models)

This feature allows the oven temperature to be adjusted up to 35°F hotter or down to 35°F cooler. Use this feature if you believe your oven temperature is too hot or too cold and wish to change it. **For double oven models the upper and lower ovens are adjusted separately (UPPEr tE-P oFFSEt and Lo-Er tE-P oFFSEt).** This adjustment affects Traditional Bake, Convection Bake, and Convection Bake Multi Rack modes.

Light Bar (LiGHt bAr) (on some models)

This feature uses a light bar between the door and the control panel for easy visual indication of preheat and cook time status. This feature can be turned on or off in the special features of your oven. This feature works with Convection Bake, Convection Bake Multi, Convection Broil, Convection Roast, Traditional Bake, Traditional Broil, Warm, Proof, Self Clean, Cook Time and Timer. On a double wall oven the notification lighting indicates the status of the upper oven only. Below is a description of the different light conditions.



OFF - No oven or timer function is running or the feature has been turned off in special features.



PULSING BAR - The oven is pre-heating. The light bar will pulse until the oven set temperature has been reached.



PROGRESS BAR - Will slowly progress to a fully lit bar as the timer counts down.

NOTE: If the **Cook Time** button is used, the light bar and the oven will turn off when the time reaches zero. If **Timer** button is used the light bar will remain solid when time reaches zero.



SOLID BAR - The oven is at the set temperature and/or function or your kitchen timer is complete.

NOTE: The progress bar for timed functions takes priority over the solid or pulsating functions if both are being used at the same time.

Default (dEFAULT)

This feature resets all of the special features to the default settings originally on the oven.

Sabbath (SAbbAtH)

Sabbath mode disables the oven lights (the oven light will not turn on when the door is opened and the notification light bar will be disabled), all sounds (the control will not beep when a pad is pressed), Convection modes, Broil modes, Warm, Proof, and all time functions. Sabbath mode can only be used with Traditional Bake. This feature conforms to the Star-K Jewish Sabbath requirements.

NOTE: If a power outage occurs during when the oven is in Sabbath Mode, the unit will return to Sabbath Mode when power is restored.

Enter the Sabbath Mode

Press the Traditional **Bake** and Traditional **Broil** pads at the same time and hold for three seconds. Use the number 2 or 8 pad to scroll thru the special features options to “SAbbAtH” and then press the number 6 pad to allow the number 2 or 8 pad to change the Sabbath feature setting from “oFF to “on”.

Press the number 5 pad to enter the selection. Press and hold the Traditional **Bake** and Traditional **Broil** pads for 3 seconds to exit special features mode. The] icon will appear in the display to signify that the unit is in Sabbath Mode. The clock will not be displayed.

Note that if you have a double wall oven, when you place the control into Sabbath mode, both ovens are now in Sabbath mode and available for cooking.

Start a Sabbath Bake

Press Traditional **Bake**. The control will default the temperature to 350F but you can use the number pads to enter a temperature between 170°F and 550°F and press **Start**. No sound will be given when the keys are pressed. At a random time between 30 seconds and 1 minute, the] icon will appear in the display indicating the oven is running.

For double wall ovens, both ovens can be used while in Sabbath mode. Press the **Upper Oven** or **Lower Oven** pad prior to pressing Traditional **Bake**. By default, the upper oven is selected if the **Upper Oven** or **Lower Oven** pad is not pressed first. If using both ovens, please wait until one oven indicates it is running before starting the second oven.

Adjust the Temperature During a Sabbath Bake

Press Traditional **Bake**, use the number pads to enter a new temperature between 170°F and 550°F, and press **Start**. No sound will be given when the keys are pressed. Since no feedback is given during temperature change, an oven thermometer can be used to confirm temperature changes.

For double wall ovens press the **Upper Oven** or **Lower Oven** pad prior to pressing Traditional **Bake**. By default, the upper oven is selected if the **Upper Oven** or **Lower Oven** pad is not pressed first. If using both ovens, please wait until one oven indicates it is running before starting or turning off the second oven.

Timed Bake During Sabbath

If you wish to use the Cook Time feature to bake in the oven and then have the oven automatically turn off, do not enter Sabbath mode. You will need to change the Cycle End Tone from a continuous beep to a single beep, turn the Tone Volume off, and turn the oven light on using the control panel or remove the light bulb. Then you can program the oven for the desired cook time in bake.

Exit the Sabbath Mode

To end a bake cycle, press **Cancel/Off**. The] icon will change to the] icon, indicating that the oven has turned off.

Press the Traditional **Bake** and Traditional **Broil** pads at the same time and hold for three seconds. Use the number 2 or 8 pad to scroll thru the special features options to “SAbbAtH” and then press the number 6 pad to allow the number 2 or 8 pad to change the Sabbath feature setting from “on to “oFF”.

Press the number 5 pad to enter the selection. Press and hold the Traditional **Bake** and Traditional **Broil** pads for 3 seconds to exit special features mode. The clock will be displayed again indicating the oven is out of Sabbath Mode.

Oven Racks

Your oven has six rack positions. Recommended rack positions for various types of foods are provided in the Cooking Guide. Adjusting rack position is one way to impact cooking results. For example, if you would prefer darker tops on cakes, muffins, or cookies, try moving food one rack position higher. If you find foods are too brown on top try moving them down next time.

When baking with multiple pans and on multiple racks, ensure there is at least 1½" between pans to allow sufficient space for air to flow.

Oven Racks

Your oven may have extension racks and/or traditional flat racks.

To avoid possible burns, place the racks in the desired position before you turn the oven on.

Extension Racks

Extension racks have an install feature that locks into the rack supports (guides) on both sides. Once the install feature is locked into place, always pull the rack out, by its upper front rail, to its full extension stop position, when placing or removing cookware.

If extension racks are difficult to extend, lubricate the racks with the graphite lubricant provided with your oven. Remove the rack from the oven, remove debris in the slide tracks with a paper towel, shake the graphite lubricant and place 4 small drops on the two bottom tracks of the left and right sides. Open and close the rack several times to distribute the lubricant.

To order additional graphite lubricant, read the Assistance and Accessories section at the beginning of this manual.

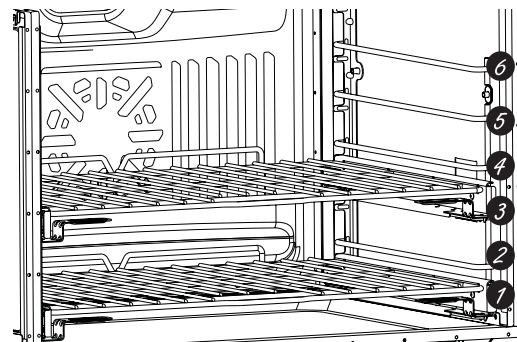
To Remove An Extension Rack:

1. Make sure the rack is pushed all the way into the oven.
2. Grasp the rack by both its upper front rail and its lower handles on two sides and lift straight up to unlock the rack from the rack supports.
3. Firmly holding onto both the upper front rail and lower handles on both sides, pull the rack forward. Grasp the rack on both sides if necessary. Then remove it from the oven.

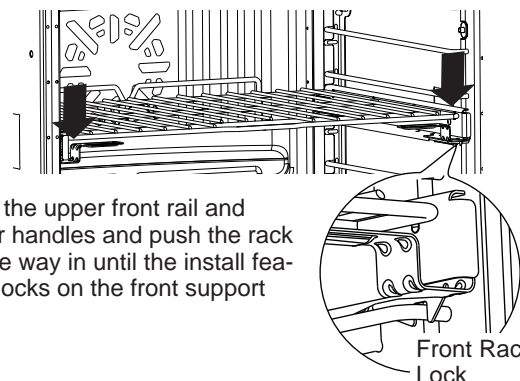
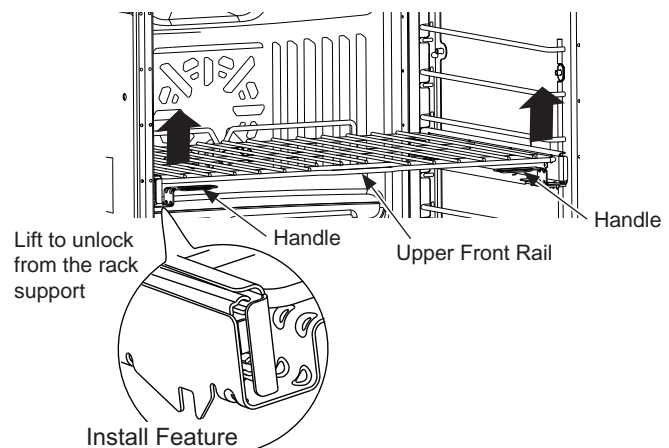
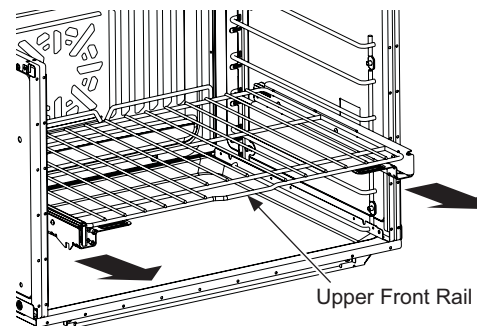
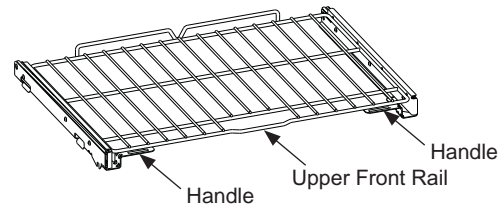
To Replace An Extension Rack:

1. Place the rear portion of the rack onto the rack supports (guides) as shown in the picture.
2. Hold the upper front rail and lower handles and push the rack all the way in until the install feature locks into the front rack support.

If extension racks are difficult to replace or remove, wipe the oven rack supports with cooking oil. Do not wipe oil on the rack slides.



The oven has 6 rack positions



Oven Racks (cont.)

Traditional Flat Racks

The racks have stops so that when placed correctly on the supports they will stop before coming completely out and will not tilt. When placing and removing cookware, pull the rack out until it stops.

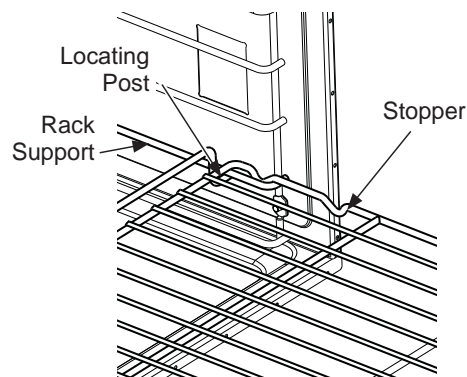
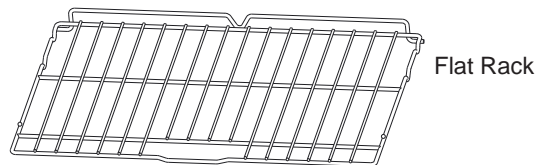
To Remove a Rack

Pull it toward you, tilt the front end up and pull it out.

To Replace a Rack

Tilt the front of the rack up, hook the rear locating posts under the rack supports, push the rack back (past the stoppers) and lower it into position. Push the rack all the way in.

If flat racks are difficult to slide and/or remove, place some cooking oil on a soft cloth or paper towel and rub onto the sides of the rack and each rack support.



CAUTION Use caution when removing a rack from lowest position as door may be hot.

Aluminum Foil and Oven Liners

CAUTION Do not use any type of foil or oven liner to cover the oven bottom. These items can trap heat or melt, resulting in damage to the product and risk of shock, smoke or fire. Damage from improper use of these items is not covered by the product warranty.

Foil may be used to catch spills by placing a sheet on a lower rack, several inches below the food. Do not use more foil than necessary and never entirely cover an oven rack with aluminum foil. Keep foil at least 1-1/2" from oven walls to prevent poor heat circulation.

Cookware

Cookware Guidelines

The material, finish, and size of cookware affect baking performance.

Dark, coated and dull pans absorb heat more readily than light, shiny pans. Pans that absorb heat more readily can result in a browner, crisper, and thicker crust. If using dark and coated cookware check food earlier than minimum cook time. If undesirable results are obtained with this type of cookware consider reducing oven temperature by 25° F next time.

Shiny pans can produce more evenly cooked baked goods such as cakes and cookies.

Glass and ceramic pans heat slowly but retain heat well. These types of pans work well for dishes such as pies and custards.

Air insulated pans heat slowly and can reduce bottom browning.

Keep cookware clean to promote even heating.

Cooking Modes

Your new oven has a variety of cooking modes to help you get the best results. These modes are described below. Refer to the Cooking Guide section for recommendations for specific foods. Remember, your new oven may perform differently than the oven it is replacing.

Baking and Roasting Modes

Select a mode for baking and roasting based on the type and quantity of food you are preparing. When preparing baked goods such as cakes, cookies, and pastries always preheat the oven first. Follow recipe recommendations for food placement. If no guidelines are provided, center food in the oven.

Traditional Bake

The traditional bake mode is intended for single rack cooking. This mode uses heat primarily from the lower element but also from the upper element to cook food. To use this mode press the **Bake** pad under **Traditional**, enter a temperature, and then press **Start**. Preheating is generally recommended when using this mode.

Convection Bake with Direct Air

The Convection Bake mode is intended for single rack cooking. This mode uses heat from the lower element and also the upper and rear elements, along with air movement directly down from the top of the oven to enhance evenness. Your oven is equipped with Auto Recipe Conversion, so it is not necessary to convert the temperature when using this mode. To use this mode press the **Bake** pad under **Convection**, enter a temperature, and then press **Start**. Preheating is generally recommended when using this mode.

Convection Bake Multi Rack

The Convection Bake Multi Rack mode is intended for baking on multiple racks at the same time. This mode uses heat primarily from the rear element but also heat from the upper and lower elements, along with air movement from the convection fan to enhance cooking evenness. Your oven is equipped with Auto Recipe Conversion, so it is not necessary to convert the temperature when using this mode. Baking time might be slightly longer for multiple racks than what would be expected for a single rack. To use this mode press the **Bake Multi Rack** pad under **Convection**, enter a temperature, and then press **Start**. Always preheat when using this mode.

Convection Roast with Direct Air

The Convection Roast mode is intended for roasting whole cuts of meat on a single rack. This mode uses heat from the lower, upper, and rear elements along with air movement directly down from the top of the oven to improve browning and reduce cooking time. It is not necessary to convert temperature. Check food earlier than the recipe suggested time when using this mode, or use the probe. To use this mode press the **Roast** pad under **Convection**, enter a temperature, and then press **Start**. It is not necessary to preheat when using this mode.

Broiling Modes

Always broil with the door closed. The broil element in this oven is very powerful. Monitor food closely while broiling. Use caution when broiling on upper rack positions as placing food closer to the broil element increases smoking, spattering, and the possibility of fats igniting. **Broiling on rack position 6 is not recommended.**

Try broiling foods that you would normally grill. Adjust rack positions to adjust the intensity of the heat to the food. Place foods closer to the broil element when a seared surface and rare interior is desired. Thicker foods and foods that need to be cooked through should be broiled on a rack position farther from the broiler or by using Traditional Broil Lo or Convection Broil Lo. For best performance, center food below the broil heating element.

Traditional Broil Hi

The Traditional Broil Hi mode uses intense heat from the upper element to sear foods. Use Broil Hi for thinner cuts of meat and/or foods you prefer less done on the interior. To use this mode press the **Broil** pad once under **Traditional** and then press **Start**. It is not necessary to preheat when using this mode.

Traditional Broil Lo

The Traditional Broil Lo mode uses less intense heat from the upper element to cook food thoroughly while also producing surface browning. Use Broil Lo for thicker cuts of meat and/or foods that you would like cooked all the way through. To use this mode press the **Broil** pad **twice** under **Traditional** and then press **Start**. It is not necessary to preheat when using this mode.

Convection Broil Hi with Direct Air

The Convection Broil Hi mode uses intense heat from the upper element along with air movement directly down from the top of the oven for improved searing and browning. To use this mode press the **Broil** pad once under **Convection** and then press **Start**. For best results preheat 5 minutes when using this mode.

Convection Broil Lo with Direct Air

The Convection Broil Lo mode uses less intense heat from the upper element along with air movement directly down from the top of the oven. To use this mode press the **Broil** pad **twice** under **Convection** and then press **Start**. For best results preheat 5 minutes when using this mode.

Convection Broil Crisp with Direct Air

The Convection Broil Crisp mode is intended as a finishing mode at the end of a cooking cycle to add surface browning to a dish such as a casserole or a roast. To use this mode press the **Broil** pad **three times** under **Convection** and then press **Start**. Monitor food closely to prevent over browning.

Cooking Modes (Cont.)

Proof

Proof mode is designed for rising (fermenting and proofing) bread doughs. Press the **Proof** pad and then press **Start**. Cover dough well to prevent drying out. Bread will rise more rapidly than at room temperature.

Probe

▲ WARNING

Consuming undercooked food can result in foodborne illness. Use probe according to the following instructions to ensure all portions of the food reach minimum safe cooking temperatures. Recommendations for minimum safe food temperatures can be found at www.foodsafety.gov or www.IsItDoneYet.gov.

Internal food temperature is frequently used as an indicator of doneness, especially for roasts and poultry. The Probe mode monitors the internal food temperature and turns the oven off when the internal food temperature reaches the programmed temperature.

Always check the temperature at multiple locations in the food with a food thermometer after cooking to ensure that all portions of the food have reached the minimum safe internal temperature for that food.

Proper Probe Placement

After preparing the meat and placing it on the cooking pan follow these instructions for proper probe placement.

- Insert the probe into the food, so that the tip of the probe will rest in the center of the thickest part of the food. For best performance the probe should be fully inserted into the food. If the probe is not located properly, it may not accurately measure the temperature of the coolest portion of the food. Some foods, particularly small items, are not well suited for cooking with the probe due to their shape or size.
- The probe should not touch bone, fat or gristle.
- For whole poultry insert the probe into the thickest part of the breast.
- For boneless roasts, insert the probe into the center of the roast.
- For bone-in ham or lamb, insert the probe into the center of the lowest large muscle or joint.
- For casseroles or dishes such as meatloaf, insert the probe into the center of the dish.
- For fish, insert the probe from just above the gill into the meatiest area, parallel to the backbone.

Probe Usage

To use the probe without preheating:

1. Insert the probe into the food (see Proper Probe Placement).
2. Place the food in the oven and connect the probe into the probe outlet in the oven.
3. Program the desired probe and cooking mode settings by pressing the **Probe** pad and entering the desired internal food temperature, then pressing the cook mode pad (Traditional **Bake**, Convection **Bake**, or Convection **Roast**) and entering the desired

Warm

Warm mode is designed to keep hot foods hot for up to 3 hours. To use this mode, press the **Warm** pad then press **Start**. Cover foods that need to remain moist and do not cover foods that should be crisp. Preheating is not required. Do not use warm to heat cold food other than crisping crackers, chips or dry cereal. It is also recommended that food not be kept warm for more than 2 hours.

cooking temperature. The maximum internal food temperature that you can set is 200°F.

To use the probe with preheating:

1. Press the desired cook mode (Traditional **Bake**, Convection **Bake**, or Convection **Roast**) pad and enter the desired cooking temperature.
2. Insert the probe into the food (see Proper Probe Placement).
3. Once the oven is preheated, place the food in the oven and connect the probe to the probe outlet, making sure it is fully inserted. Use caution, the oven walls and probe outlet are hot.
4. Program the probe temperature by pressing the **Probe** pad and entering the desired internal food temperature. The maximum internal food temperature that you can set is 200° F.

Probe Care Guidelines

NOTE: some double oven models have a probe in the upper oven only.

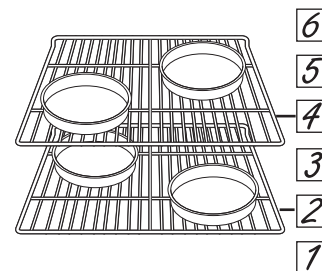
- Use of probes other than the one provided with this product may result in damage to the probe.
- Use the handles of the probe and plug when inserting and removing them from the meat and outlet
- To avoid damaging your probe, do not use tongs to pull on the cable when removing it.
- To avoid breaking the probe, make sure food is completely defrosted before inserting the probe.
- To prevent possible burns, do not unplug the probe from the outlet until the oven has cooled.
- Never leave the probe inside the oven during a self or steam clean cycle.
- Do not store the probe in the oven.

Cooking Guide

| FOOD TYPE | RECOMMENDED MODE(S) | RECOMMENDED RACK POSITION(S) | ADDITIONAL SUGGESTIONS |
|--|--|--|--|
| Baked Goods | | | |
| Layer cakes, sheet cakes, bundt cakes, muffins, quick breads on a Single Rack | Convection Bake Traditional Bake | 3 | Use shiny cookware. |
| Layer cakes* on Multiple Racks | Traditional Bake | 2 and 4 | Extension rack in higher position if used. Ensure adequate airflow (see illustration below). |
| Chiffon cakes (angel food) | Convection Bake Traditional Bake | 1 | Use shiny cookware. |
| Cookies, biscuits, scones on a Single Rack | Convection Bake | 3 | Use shiny cookware. |
| Cookies, biscuits, scones on Multiple Racks | Convection Bake Multi Rack | 2 and 4 2, 3 and 5 | Extension rack position 4 for 2 racks, and position 3 for 3 racks. Ensure adequate airflow. |
| Beef & Pork | | | |
| Hamburgers | Traditional Broil Hi | 5 | Use extension rack; for patties spaced equally on broil pan grid to get a well seared exterior and a rare interior cook the first side approximately 3 minutes and cook the second side approximately 4 minutes. Move food down for more doneness/less searing. For best performance, center food below the broil heating element. |
| Steaks & Chops | Convection Broil Hi Traditional Broil Hi | 5 | Use a broil pan; Preheat 5 minutes if using Convection Broil Mode. Move food down for more doneness/less searing. Watch food closely when broiling. For best performance, center food below the broil heating element. |
| Roasts | Convection Roast | 2 or 3 | Use a low sided pan such as a broil pan. Preheating is not necessary. Use probe feature. |
| Poultry | | | |
| Whole chicken | Convection Roast | 2 or 3 | Use a low sided pan such as a broil pan. Use probe feature. |
| Bone-in chicken breasts, legs, thighs | Broil Hi | 1 | If breaded or coated in sauce avoid Broil Hi modes. Broil skin side down first. Watch food closely when broiling. For best performance when broiling, center food below the broil heating element. |
| | Broil Lo Convection Bake Traditional Bake | 3 | |
| Boneless chicken breasts | Convection Broil Lo Convection Bake Traditional Bake | 3 | Preheat 5 minutes if using Convection Broil. Move food down for more doneness/less searing and up for greater searing/browning when broiling. For best performance when broiling, center food below the broil heating element. |
| Whole turkey | Convection Roast | 1 or 2 | Use a low sided pan such as a broil pan. Use the probe feature. |
| Turkey Breast | Convection Roast | 2 or 3 | Use a low sided pan such as a broil pan. Use the probe feature. |
| Fish | Convection Broil Lo Broil Lo | 5 (1/2 thick or less) 4 (>1/2 inch) | Preheat 5 minutes when Convection Broiling. Watch food closely when broiling. For best performance, center food below the broil heating element. |
| Casseroles | Convection Bake Traditional Bake | 3 | Use Convection Broil Crisp mode during last 2-5 minutes of baking to melt/brown cheese or crisp surface. |
| Frozen Convenience Foods | | | |
| Pizza, french fries, tator tots, chicken nuggets, appetizers on a Single Rack | Convection Bake Traditional Bake | 3 | Use Convection Broil Crisp mode during last 2-5 minutes of cooking to crisp the exterior. |
| Pizza, french fries, tator tots, chicken nuggets, appetizers on Multiple Racks | Convection Bake Multi Rack | 2 and 4 | If using Crisp mode, place both pans on top rack if space allows, otherwise Crisp one at a time on top rack position. |

*When baking four cake layers at a time, use racks 2 and 4. Place the pans as shown so that one pan is not directly above another.

Cook food thoroughly to help protect against food borne illness. Minimum safe food temperature recommendations for food safety can be found at www.IsItDoneYet.gov. Make sure to use a food thermometer to take food temperatures.



Cleaning The Oven

Be sure electrical power is off and all surfaces are cool before cleaning any part of the oven.

Control Panel

It's a good idea to wipe the control panel after each use. Clean with mild soap and water or vinegar and water, rinse with clean water and polish dry with a soft cloth.

Do not use abrasive cleansers, strong liquid cleansers, plastic scouring pads or oven cleaners on the control panel—they will damage the finish.

Oven Exterior

Do not use oven cleaners, abrasive cleansers, strong liquid cleansers, steel wool, plastic scouring pads, or cleaning powders on the interior or exterior of the oven. Clean with a mild soap and water or vinegar and water solution. Rinse with clean water and dry with a soft cloth. When cleaning surfaces, make sure that they are at room temperature and not in direct sunlight.

If stain on the door vent trim is persistent, use a mild abrasive cleaner and a sponge-scrubber for best results. Spillage of marinades, fruit juices, tomato sauces and basting liquids containing acids may cause discoloration and should be wiped up immediately. Let hot surfaces cool, then clean and rinse.

Stainless Steel Surfaces (on some models)

Do not use a steel wool pad; it will scratch the surface. To clean the stainless steel surface, use warm sudsy water or a stainless steel cleaner or polish. Always wipe the surface in the direction of the grain. Follow the cleaner instructions for cleaning the stainless steel surface.

To inquire about purchasing cleaning products including stainless steel appliance cleaner or polish, read the Assistance and Accessories sections at the beginning of this manual.

Oven Interior

The interior of your new oven can be cleaned manually or by using the Steam Clean or Self Clean modes. Spillage of marinades, fruit juices, tomato sauces and basting liquids containing acids may cause discoloration and should be wiped up immediately. Let hot surfaces cool, then clean and rinse.

Manual Cleaning

Do not use oven cleaners, abrasive cleaners, strong liquid cleansers, steel wool, scouring pads, or cleaning powders on the interior of the oven. Clean with a mild soap and water or vinegar and water solution. Rinse with clean water and dry with a soft cloth. When cleaning surfaces, make sure that they are at room temperature.

Steam Clean Mode

Steam clean is intended to clean small spills using water and a lower cleaning temperature than Self-Clean.

To use the Steam Clean feature, wipe grease and soils from the oven. Pour one cup of water into the bottom of the oven. Close the door. Press the **Steam Clean** pad and then press **Start**. The oven door will lock. You can not open the door during the 30 minute steam clean as this will decrease the steam clean performance. At the end of the steam clean cycle the door will unlock. Wipe out any excess water and any remaining soil.

Self Clean Mode

Read Self-Cleaning Oven Safety Instructions at the beginning of this manual before using Self Clean Mode.

IMPORTANT: The health of some birds is extremely sensitive to the fumes given off during the self-cleaning cycle of any range. Move birds to another well-ventilated room.

Self clean uses very high temperatures to clean the oven interior. The oven door will lock when using this feature. Before operating the self clean cycle, wipe up grease and soils from the oven. Remove all items from the oven other than enameled (dark color) racks. Shiny or silver racks, the meat probe, and any cookware or other items should all be removed from the oven before initiating a self clean cycle. Close the door. Press the **Self Clean** pad and a default self-clean time is displayed. The clean time can be changed to any time between 3:00 and 5:00 hours by using the number pads to enter a different time and pressing **Start**. For heavily soiled ovens, the maximum 5 hour clean time is recommended. If you wish to use the default time, press the **Start** pad immediately after pressing the **Self Clean** pad. The oven will turn off automatically when the self clean cycle is complete. The door will stay locked until the oven has cooled down. After the oven has cooled down wipe any ash out of the oven.

On double oven models, you can set a clean cycle in both ovens at the same time. The last oven set will automatically delay its start until the end of the first oven's clean cycle.

Oven Racks

The racks that were provided with your oven (dark enameled racks, not shiny) may remain in the oven during the self-cleaning cycle without being damaged.

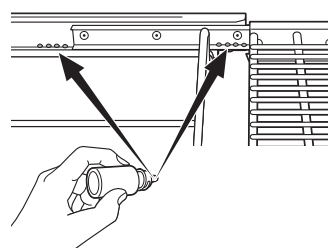
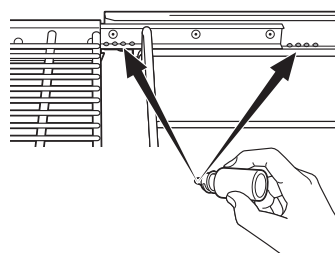
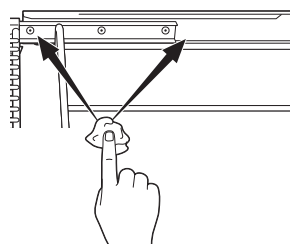
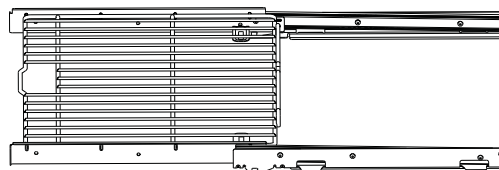
To manually clean racks, use warm, soapy water. Make sure not to wash the rack slides on an extension rack.

If racks become more difficult to remove from the oven, put some vegetable oil on a soft cloth or paper towel and rub onto the oven rack supports. Do not wipe the oil on an extension rack slide.

Periodically, after several self-clean cycles, the extension rack slides may need to be lubricated using the graphite lubricant shipped with your wall oven. To order additional graphite lubricant read the Assistance and Accessories sections at the beginning of this manual.

1. Remove extension rack from the oven. See the Extension Oven Racks section.
2. Fully extend the rack on a table or countertop. Newspaper may be placed underneath the rack for easy clean up.
3. If there is debris in the slide tracks, wipe it away using a paper towel. **NOTE:** Any graphite lubricant wiped away must be replaced.
4. Shake the graphite lubricant before opening it. Starting with left slide mechanism of the rack, place four (4) small drops of lubricant on the two (2) bottom tracks of the slide close to the bearing carriers.
5. Repeat for the right slide mechanism of the rack.
6. Open and close the rack several times to distribute the lubricant.
7. Replace the cap on the lubricant and shake it again. Turn the rack over and repeat steps 3, 4, 5 and 6.
8. Close the rack, turn rack right-side-up and place in the oven. See the Extension Oven Racks section.
9. Repeat above steps for each rack.

NOTE: Do not spray with cooking spray or other lubricant sprays.

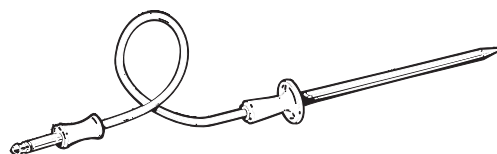


Probe

The temperature probe may be cleaned with soap and water or a soap-filled scouring pad. Cool the temperature probe before cleaning. Scour stubborn spots with a soap-filled scouring pad, rinse and dry.

To order additional temperature probes read the Assistance and Accessories sections at the beginning of this manual.

- Do not immerse the temperature probe in water.
- Do not store the temperature probe in the oven.
- Do not leave the temperature probe inside the oven during a self or steam clean cycle.



Maintenance

Oven Light Replacement

⚠ WARNING SHOCK OR BURN HAZARD: Before replacing oven light bulb, disconnect the electrical power to the oven at the main fuse or circuit breaker panel. Failure to do so may result in electric shock or burn.

⚠ CAUTION BURN HAZARD: The glass cover and bulb should be removed when cool. Touching hot glass with bare hands or a damp cloth can cause burns.

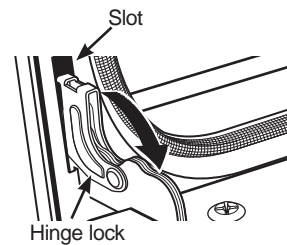
1. Disconnect power at the main fuse or circuit breaker panel.
2. Remove oven racks.
3. Slide a flat blade screwdriver between the housing and the glass light cover.
4. Support the glass light cover with two fingers to prevent the cover from falling to the bottom of the oven. Be careful not to chip the oven coating.
5. Gently twist the screwdriver blade to loosen the glass light cover.
6. Remove the glass light cover.
7. Remove the bulb by firmly grasping and sliding the bulb straight out until the two prongs have cleared the ceramic holder.
8. Do not touch the glass of the new replacement bulb with your fingers. It will cause the bulb to fail when it lights. Grasp the replacement bulb with a clean towel or facial tissue with the prongs facing down. Align the two prongs in the ceramic holder, pressing gently until the bulb is securely in the ceramic socket.
9. Slide the protective lens into the holder and push until the clips snap into the housing.
10. Reconnect power.

Lift-Off Oven Door

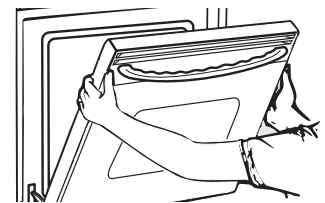
The door is very heavy. Be careful when removing and lifting the door. Do not lift the door by the handle.

To remove the door:

1. Fully open the door.
2. Pull the hinge locks down toward the door frame, to the unlocked position. A tool, such as a small flat-blade screwdriver, may be required.
3. Firmly grasp both sides of the door at the top.
4. Close door to the door removal position. The door should be open approximately 3" with no obstruction above the door.
5. Lift door up and out until both hinge arms are clear of the slots.



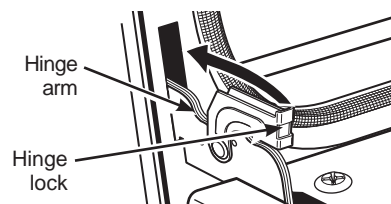
Pull hinge locks down to unlock



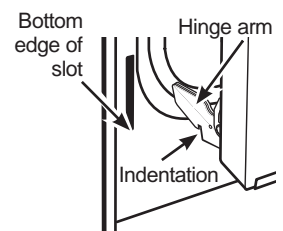
Removal position

To replace the door:

1. Firmly grasp both sides of the door at the top.
2. Starting on the left side, with the door at the same angle as the removal position, seat the indentation of the hinge arm into the bottom edge of the hinge slot. The notch in the hinge arm must be fully seated into the bottom of the slot. Repeat for right side.
3. Fully open the door. If the door will not fully open, the indentation is not seated correctly in the bottom edge of the slot.
4. Push the hinge locks up against the front frame of the oven cavity, to the locked position.
5. Close the oven door.



Push hinge locks up to lock






Notes

Troubleshooting tips ... Before you call for service

Save time and money! Review the charts on the following pages first and you may not need to call for service.

| Problem | Possible Cause | What To Do |
|---|---|--|
| My new oven doesn't cook like my old one. Is something wrong with the temperature settings? | Your new oven has a different cooking system from your old oven and therefore may cook differently than your old oven. | For the first few uses, follow your recipe times and temperatures carefully. If you still think your new oven is too hot or too cold, you can adjust the temperature yourself to meet your specific cooking preference. See the Special Features Section to adjust the oven temperature. NOTE: This adjustment affects Traditional Bake, Convection Bake and Convection Bake Multi temperatures; it will not affect Convection Roast, Traditional Broil, Convection Broil or Clean. |
| Food does not bake properly | Oven controls improperly set. | See the Cooking Modes section. |
| | Rack position is incorrect or rack is not level. | See the Cooking Modes section and Cooking Guide. |
| | Incorrect cookware or cookware of improper size being used. | See the Cookware section. |
| | Oven temperature needs adjustment. | See the Special Features section. |
| | Ingredient substitution | Substituting ingredients can change the recipe outcome. |
| Food does not broil properly | Oven controls improperly set. | Make sure you select the appropriate broil mode. NOTE: Convection crisp is not for broiling foods. |
| | Improper rack position being used. | See the Cooking Guide for rack location suggestions. |
| | Food being cooked in a hot pan. | Make sure cookware is cool |
| | Cookware not suited for broiling. | Use a pan specifically designed for broiling |
| | Aluminum foil used on the broiling pan and grid has not been fitted properly and slit as recommended. | If using aluminum foil conform to pan slits. |
| | In some areas the power (voltage) may be low. | Preheat the broil element for 10 minutes. |
| Oven temperature too hot or too cold | Oven temperature needs adjustment. | See the Special Features section. |
| Oven does not work or appears not to work | A fuse in your home may be blown or the circuit breaker tripped. | Replace the fuse or reset the circuit breaker. |
| | Oven controls improperly set. | See the Using the Oven section. |
| | Oven is in Sabbath Mode | Verify, that the oven is not in Sabbath Mode. See the Special Features section. |
| "Crackling" or "popping" sound | This is the sound of the metal heating and cooling during both the cooking and cleaning functions. | This is normal. |
| Why is my range making a "clicking" noise when using my oven? | Your range has been designed to maintain a tighter control over your oven's temperature. You may hear your oven's heating elements "click" on and off more frequently than in older ovens to achieve better results during baking, broiling, convection, and self-clean cycles. | This is normal. |
| Clock and timer do not work | A fuse in your home may be blown or the circuit breaker tripped. | Replace the fuse or reset the circuit breaker. |

Troubleshooting tips ... Before you call for service

| Problem | Possible Cause | What To Do |
|--|--|---|
| Oven light does not work | Light bulb is loose or defective. | Tighten or replace bulb. |
| | Pad operating light is broken. | Call for service. |
| Oven will not self-clean | The temperature is too high to set a self-clean operation. | Allow the oven to cool and reset the controls. |
| | Oven controls improperly set. | See the Cleaning the Oven section. |
| Excessive smoking during clean cycle | Excessive soil or grease. | Press the Cancel/Off pad. Open the windows to rid the room of smoke. Wait until the LOCKED light goes off. Wipe up the excess soil and reset the clean cycle. |
| Excessive smoking during broiling | Food too close to burner element. | Lower the rack position of the food. |
| Oven door will not open after a clean cycle | Oven too hot. | Allow the oven to cool below locking temperature. |
| Oven not clean after a clean cycle | Oven controls improperly set. | See the Cleaning the Oven section. |
| | Oven was heavily soiled. | Clean up heavy spillovers before starting the clean cycle. Heavily soiled ovens may need to self-clean again or for a longer period of time. |
| "DOOR  flashes in the display | The self-clean cycle has been selected but the door is not closed. | Close the oven door. Wait for oven door to finish locking. |
| | "DOOR  will flash while the oven door is locking to start self-clean and steam clean. | This is normal. |
| "DOOR  light is on when you want to cook | The oven door is locked because the temperature inside the oven has not dropped below the locking temperature. | Press the Cancel/Off pad. Allow the oven to cool. |
| "F— and a number or letter" flash in the display | You have a function error code. | Press the Cancel/Off pad. Allow the oven to cool for one hour. Put the oven back into operation. |
| | If the function code repeats. | Disconnect all power to the oven for at least 30 seconds and then reconnect power. If the function error code repeats, call for service. |
| Display goes blank | A fuse in your home may be blown or the circuit breaker tripped. | Replace the fuse or reset the circuit breaker. |
| | The clock is turned off. | See the Special Features section. |
| | Oven is in Sabbath Mode. | Verify that the oven is not in Sabbath Mode. See the Special Features section. |
| Power outage, clock flashes | Power outage or surge | Reset the clock. If the oven was in use, you must reset it by pressing the Cancel/Off pad, setting the clock and resetting any cooking function. |
| "Burning" or "oily" odor emitting from the vent | This is normal in a new oven and will disappear in time. | To speed the process, set a self-clean cycle for a minimum of 3 hours. See the Cleaning the Oven section. |
| Strong odor | An odor from the insulation around the inside of the oven is normal for the first few times the oven is used. | This is temporary and will go away after several uses or a self-clean cycle. |
| Fan noise | A cooling fan may automatically turn on. | This is normal. The cooling fan will turn on to cool internal parts. It may run for up to 1-1/2 hours after the oven is turned off. |
| My oven door glass appears to be "tinted" or have a "rainbow" color. Is this defective? | No. The inner oven glass is coated with a heat barrier to reflect the heat back into the oven to prevent heat loss and keep the outer door cool while baking. | This is normal. Under certain light or angles, you may see this tint or rainbow color. |

Troubleshooting tips ... Before you call for service

| Problem | Possible Cause | What To Do |
|--|---|---|
| Sometimes the oven takes longer to preheat to the same temperature | Cookware or food in oven | The cookware or food in the oven will cause the oven to take longer to preheat. Remove items to reduce preheat time. |
| | Number of racks in oven | Adding more racks to the oven will cause the oven to take longer to preheat. Remove some racks. |
| | Different cooking modes | The different cooking modes use different preheat methods to heat the oven for the specific cooking mode. Some modes will take longer than others (i.e. convection bake multi). |
| Oven will not work remotely | Router issues, no wireless signal, etc. | For assistance with oven wireless network connectivity, please call 1-800-220-6899. |
| | Oven is not connected. | |



HORNO DE PARED

Eléctrico con Convección Directa de Aire Incorporada

INFORMACIÓN DE SEGURIDAD ... 2

GARANTÍA..... 6

ASISTENCIA / ACCESORIOS..... 7

USO DEL HORNO

Controles del Horno..... 8

Funciones Especiales.....10

Modo Sabático (SAbbAtH).....12

Estantes del Horno.....13

Papel de Aluminio y Cobertores del Horno...14

Utensilios.....14

Modos de Cocción.....15

Probe (Sonda).....16

Guía de Cocción.....17

CUIDADO Y LIMPIEZA

Panel de Control.....18

Exterior del Horno.....18

Superficies de Acero Inoxidable.....18

Interior del Horno.....18

Estantes del Horno.....19

Mantenimiento.....20

CONSEJOS PARA LA SOLUCIÓN DE PROBLEMAS 22

MANUAL DEL PROPIETARIO

- Horno de Pared Simple PT7050 - 30"
- Horno de Pared Simple PT9050 - 30"
- Horno de Pared Simple CT9050 - 30"
- Horno de Pared Doble PT7550 - 30"
- Horno de Pared Doble PT9550 - 30"
- Horno de Pared Doble CT9550 - 30"

Escriba los números de modelo y de serie aquí:

Nº de Modelo _____

Nº de Serie _____

Los podrá encontrar en una etiqueta en el borde lateral o en el frente del horno (inferior) detrás de la puerta del horno.

INFORMACIÓN IMPORTANTE DE SEGURIDAD LEA TODAS LAS INSTRUCCIONES ANTES DE USAR

⚠ ADVERTENCIA Lea todas las instrucciones de seguridad antes de utilizar este producto. No seguir estas instrucciones puede generar un incendio, una descarga eléctrica, lesiones corporales o la muerte.

ADVERTENCIA DE LA PROPOSICIÓN 65 DEL ESTADO DE CALIFORNIA

⚠ ADVERTENCIA Este producto contiene uno o más químicos que el Estado de California entiende que producen cáncer, defectos en el nacimiento u otros daños reproductivos.

Los hornos con limpieza automática pueden ocasionar exposiciones de bajo nivel a algunas de las sustancias de la Proposición 65, incluyendo monóxido de carbono, durante el ciclo de limpieza. La exposición a sustancias puede ser minimizada abriendo una ventana o usando un extractor o campana.

⚠ ADVERTENCIA INSTRUCCIONES GENERALES DE SEGURIDAD

- Use este electrodoméstico sólo para su propósito original, como se describe en el Manual del Propietario.
- Solicite que un instalador calificado instale su electrodoméstico y que esté adecuadamente conectado a tierra, de acuerdo con las instrucciones de instalación provistas.
- No intente reparar o reemplazar ninguna parte del horno, a menos que se recomiende específicamente en este manual. Cualquier otra reparación deberá ser realizada por un técnico calificado.
- Antes de realizar cualquier servicio técnico, desconecte el suministro de corriente desde el panel de distribución del hogar, retirando el fusible o desconectando el disyuntor.
- No deje a los niños solos – no se deberá dejar a los niños solos o fuera de su radio de atención en el área donde el electrodoméstico se encuentre en uso. Nunca se les deberá permitir trepar, sentarse o pararse sobre ninguna parte del electrodoméstico.
- **⚠ PRECAUCIÓN** No coloque artículos de interés para los niños sobre los gabinetes que están sobre un horno – si los niños se trepan sobre el horno para llegar a estos artículos podrían sufrir lesiones graves.
- Use sólo mangos de ollas secas – los mangos húmedos sobre superficies calientes pueden producir quemaduras debido al vapor. No deje que los mangos de las ollas toquen los elementos que están calientes. No use una toalla u otra tela voluminosa para reemplazar el mango de las cacerolas.
- Nunca use el electrodoméstico para calentar o calefaccionar la habitación.
- No toque el elemento calentador ni la superficie interior del horno. Es posible que estas superficies estén demasiado calientes como para quemar, aunque su color sea oscuro. Durante y después del uso, no toque ni permita que telas u otros materiales inflamables toquen cualquier área interior del horno; espere a que haya pasado un tiempo suficiente para que se enfríen. Otras superficies del electrodoméstico se podrán calentar lo suficiente como para ocasionar lesiones. Las superficies potencialmente calientes incluyen la abertura de la ventilación del horno, superficies cercanas a la abertura y grietas alrededor de la puerta del horno.
- No caliente envases de comida que no hayan sido abiertos. Se podría acumular presión y el envase podría explotar, ocasionando una lesión.
- No use ningún tipo de aluminio o cobertor para cubrir el fondo del horno o cualquier parte del horno, excepto como se describe en este manual. Los cobertores de horno pueden atrapar el calor o derretirse, ocasionando daños sobre el producto y el riesgo de descargas, humo o incendios.
- Evite las ralladuras o impactos sobre las puertas de vidrio o los paneles de control. Hacer esto podrá producir la rotura de vidrios. No cocine un producto con un vidrio roto. Es posible que se produzcan descargas, incendios o cortes.
- Cocine carnes y carnes de ave en forma completa – la carne por lo menos a una temperatura interna de 160° F y la carne de ave por lo menos a una temperatura interna de 180° F. Normalmente la cocción a estas temperaturas es una protección contra las enfermedades transmitidas por la comida.

LEA Y GUARDE ESTAS INSTRUCCIONES

INFORMACIÓN IMPORTANTE DE SEGURIDAD

LEA TODAS LAS INSTRUCCIONES ANTES DE USAR

▲ADVERTENCIA MANTENGA LOS MATERIALES INFLAMABLES ALEJADOS DE LA COCINA

Si esto no se cumple, se podrán sufrir lesiones personales graves o incendios.

- No guarde ni use materiales inflamables en o cerca de un horno, incluyendo papel, plástico, mangos de ollas, trapos, cobertores de pared, cortinas, paños y gasolina u otros vapores y líquidos inflamables.
- Nunca use prendas holgadas o que cuelguen mientras usa el electrodoméstico. Estas prendas se podrán incendiar si entran en contacto con superficies calientes, ocasionando quemaduras graves.
- No permita que la grasa de la cocción u otros materiales inflamables se acumulen en o cerca del horno. La grasa que está en o cerca del horno se podrá incendiar.

▲ADVERTENCIA EN CASO DE INCENDIO, SIGA LOS SIGUIENTES PASOS PARA EVITAR LESIONES O LA PROPAGACIÓN DEL FUEGO

- No use agua sobre el fuego de la grasa. Nunca tome una olla que se esté incendiando.
- Si hay un incendio en el horno durante el horneado, ahogue el fuego cerrando la puerta del horno y apagando el mismo o usando un químico seco multipropósito o un extintor de incendio con espuma.
- En caso de que haya fuego en el horno durante el ciclo de limpieza automática, apague el horno y espere a que el fuego se extinga. No fuerce la puerta para abrirla. La entrada de aire fresco sobre las temperaturas de la limpieza automática podrá conducir a la producción de llamas en el horno.

▲ADVERTENCIA INSTRUCCIONES DE SEGURIDAD DEL HORNO

- Manténgase alejado del horno al abrir la puerta del mismo. El aire caliente o el vapor que sale puede causar quemaduras en las manos, rostro y/u ojos.
- Mantenga desobstruida la ventilación del horno.
- Mantenga el horno libre de acumulación de grasa. La grasa del horno se puede incendiar.
- Coloque los estantes del horno en la ubicación deseada mientras éste se encuentra frío. Si es necesario mover el estante mientras el horno está caliente, evite que el mango de la olla tenga contacto con el elemento calentador en el horno.
- Al usar las bolsas para cocinar o dorar en el horno, siga las instrucciones del fabricante.
- Es conveniente empujar hacia afuera los estantes estándares hasta el tope o empujar el estante extensible hasta la posición completamente abierta para levantar comidas pesadas. Esto también es una precaución contra quemaduras por tocar superficies calientes de la puerta o las paredes del horno.
- No deje productos tales como papel, utensilios de cocina ni comida en el horno cuando éste no se encuentre en uso. Los artículos guardados en el horno se pueden incendiar.
- Nunca coloque los utensilios de cocina, piedras para pizza u horneado o cualquier otro tipo de aluminio o cobertor en la base del horno. Estos ítems pueden atrapar el calor o derretirse, ocasionando daños sobre el producto y el riesgo de descargas, humo o incendios.

▲ADVERTENCIA INSTRUCCIONES DE SEGURIDAD DEL HORNO CON LIMPIEZA AUTOMÁTICA

La función de limpieza automática usa el horno en temperaturas lo suficientemente altas como para consumir la suciedad de comida que haya dentro del horno. Para un funcionamiento seguro, siga estas instrucciones.

- No toque las superficies del horno durante el ciclo de limpieza automática. Mantenga a los niños alejados del horno durante la limpieza automática. Si no se siguen estas instrucciones, se podrán producir quemaduras.
- Antes de usar el ciclo de limpieza automática del horno, retire los estantes de color gris brillante (en algunos modelos), la sonda, cualquier papel de aluminio, y cualquier bandeja para asar, rejilla, u otros utensilios. Sólo se pueden dejar dentro del horno los estantes para horno cubiertos de porcelana.

LEA Y GUARDE ESTAS INSTRUCCIONES

INFORMACIÓN IMPORTANTE DE SEGURIDAD LEA TODAS LAS INSTRUCCIONES ANTES DE USAR

▲ADVERTENCIA INSTRUCCIONES DE SEGURIDAD DEL HORNO CON LIMPIEZA AUTOMÁTICA (Cont.)

- Antes de utilizar el ciclo de limpieza automática, limpie la grasa y restos de comida que haya en el horno. Una cantidad excesiva de grasa se puede incendiar, lo cual puede producir daños con humo en su hogar.
- Si el modo de limpieza automática funciona de forma incorrecta, apague el horno y desconecte el suministro de corriente. Solicite el servicio de un técnico calificado.
- No limpie la junta de la puerta. La junta de la puerta es esencial para un buen sellado. Se debe tener cuidado de no frotar, dañar ni mover la junta.
- No use limpiadores para horno. No se deberá usar limpiadores comerciales para horno ni revestimientos de protección para hornos de ningún tipo en o alrededor de cualquier parte del horno.

El equipo de acceso remoto instalado en este horno fue probado y cumple con los límites establecidos para un dispositivo digital de clase B, según la parte 15 de la Normativa de la FCC. Estos límites fueron diseñados para:

(a) brindar una protección razonable contra interferencias nocivas en una instalación residencial. Este equipo genera, usa y puede emitir energía de radiofrecuencia y, si no se instala y utiliza de acuerdo con las instrucciones, puede ocasionar interferencias perjudiciales en las comunicaciones de radio. Sin embargo, no se garantiza que no se presenten interferencias en una instalación en particular. Si el equipo provoca interferencias perjudiciales para la recepción de radio o televisión, lo cual puede comprobar encendiendo y apagando el equipo, se aconseja al usuario que intente corregir la interferencia con una de las siguientes medidas:

- Reoriente o reubique la antena receptora.
- Aumente la separación entre el equipo y el receptor.
- Conecte el equipo a un tomacorriente de un circuito diferente del tomacorriente al que se encuentra conectado el receptor.
- Para solicitar ayuda, consulte con el proveedor minorista o a un técnico experimentado de radio/ TV.

(b) tolerar cualquier interferencia recibida, incluyendo las interferencias que puedan provocar un funcionamiento no deseado del dispositivo.

Observe que todos los cambios o modificaciones sobre el dispositivo de comunicación inalámbrico instalado en este horno que no estén expresamente aprobados por el fabricante podrían anular la autoridad del usuario para operar el equipamiento.

LEA Y GUARDE ESTAS INSTRUCCIONES

¡Gracias! ... por su compra de un electrodoméstico de la Marca GE Appliances

Registre su Electrodoméstico: ¡Registre su electrodoméstico nuevo a través de Internet, según su conveniencia!

www.geappliances.com/service_and_support/register/

Un registro puntual de su producto permitirá una mejor comunicación y un servicio más puntual de acuerdo con los términos de su garantía, en caso de surgir la necesidad. También puede enviar una carta en la tarjeta de inscripción pre-impresa que se incluye con el material embalado.

Garantía de la Cocina Eléctrica de GE

GEAppliances.com

Todo el servicio de garantía es provisto por nuestros Centros de Servicio de Fabricación, o un técnico autorizado de Customer Care®. Para programar una visita del servicio técnico a través de Internet, visítenos en www.geappliances.com/service_and_support/, o llame al 800.GE.CARES (800.432.2737). Cuando llame para solicitar el servicio, tenga los números de serie y modelo disponibles.

Para realizar el servicio técnico de su electrodoméstico, se podrá requerir el uso de datos del puerto de abordaje para su diagnóstico. Esto da al técnico del servicio de fábrica de GE Appliances la habilidad de diagnosticar de forma rápida cualquier problema con su electrodoméstico, y de ayudar a GE Appliances a mejorar sus productos al brindarle a GE Appliances la información sobre su electrodoméstico. Si no desea que los datos de su electrodoméstico sean enviados a GE Appliances, solicitamos que le indique a su técnico no entregar los datos a GE Appliances en el momento del servicio.

| Por el Período de | GE Appliances reemplazará |
|---|--|
| Un Año Desde la fecha de la compra original | Cualquier parte de la cocina que falle debido a un defecto en los materiales o la fabricación. Durante esta garantía limitada de un año , GE Appliances también proveerá, sin costo , todo el trabajo y el servicio en el hogar para reemplazar la parte que presente defectos. |

Qué no cubrirá GE Appliances:

- Viajes del técnico del servicio a su hogar para enseñarle sobre cómo usar el producto.
- Instalación, entrega o mantenimiento inadecuados.
- Fallas del producto en caso de abuso, mal uso, modificación o uso para propósitos diferentes al original o uso comercial.
- Reemplazo de fusibles de la casa o reinicio de disyuntores.
- Daños ocasionados sobre el producto por accidente, incendio, inundaciones o catástrofes naturales.
- Daños incidentales o consecuentes causados por posibles defectos sobre este producto.
- Daño causado después de la entrega.
- Producto no accesible para brindar el servicio requerido.
- Solicite el servicio técnico para reparar o reemplazar las lámparas, excepto las lámparas LED.

EXCLUSIÓN DE GARANTÍAS IMPLÍCITAS

Su única y exclusiva alternativa es la reparación del producto, como se indica en la Garantía Limitada. Las garantías implícitas, incluyendo garantías implícitas de comerciabilidad o conveniencia sobre un propósito particular, se limitan a un año o al período más corto permitido por la ley.

Esta garantía se extiende al comprador original y a cualquier dueño subsiguiente de productos comprados para uso hogareño dentro de EE.UU. Si el producto está en un área donde no se encuentra disponible un Proveedor Autorizado del Servicio Técnico de GE Appliances, usted será responsable por el costo de un viaje o se podrá requerir que traiga el producto a una ubicación del Servicio Técnico de GE Appliances autorizado para recibir el servicio. En Alaska, la garantía excluye el costo de envío o llamadas del servicio a su hogar. Algunos estados no permiten la exclusión o limitación de daños fortuitos o consecuentes. Esta garantía le da derechos legales específicos y es posible que tenga otros derechos legales que varían entre un estado y otro. Para conocer cuáles son sus derechos legales, consulte a la oficina de asuntos del consumidor local o estatal o al Fiscal de su estado.

Garante: GE Appliances

Garantías Extendidas: Adquiera una garantía extendida de GE Appliances y conozca los descuentos especiales que están disponibles mientras su garantía aún está vigente. Puede acceder a la misma a través de Internet en cualquier momento en

www.geappliances.com/service_and_support/shop-for-extended-service-plans.htm

o llamando al 800.626.2224 durante el horario comercial. Los Servicios para los GE Appliances aún estarán disponibles cuando su garantía caduque.

Abroche su recibo aquí. Para acceder al servicio técnico de acuerdo con la garantía deberá contar con la prueba de la fecha original de compra.

¿Desea realizar una consulta o necesita ayuda con su electrodoméstico?

¡Consulte el Sitio Web de Electrodomésticos de GE Appliances (www.geappliances.com/service_and_support/) durante las 24 horas, cualquier día del año! Para mayor conveniencia y un servicio más rápido, ahora puede descargar el Manual del Propietario, ordenar piezas o incluso programar el servicio técnico a través de Internet.

Servicio Programado: El servicio de reparación de expertos de GE Appliances está a sólo un paso de su puerta. Programe su servicio técnico a través de Internet en www.geappliances.com/service_and_support/ o llame a GE Appliances al 800.GE.CARES (800.432.2737) durante el horario comercial habitual.

Piezas y Accesorios: Aquellas personas calificadas para realizar el servicio técnico sobre sus propios electrodomésticos podrán solicitar el envío de piezas o accesorios directamente a sus hogares (se aceptan las tarjetas VISA; MasterCard y Discover). Ordene a través de Internet hoy, durante las 24 horas o en forma telefónica al 800.626.2002 durante el horario de atención comercial.

Las instrucciones que figuran en este manual cubren los procedimientos que serán realizados por cualquier usuario. Otros servicios técnicos generalmente deberían ser derivados a personal calificado del servicio. Se deberá tener cuidado, ya que una reparación indebida podrá hacer que el funcionamiento no sea seguro.

Estudio de Diseño de la Vida Real: GE Appliances apoya el concepto de Diseño Universal en productos, servicios y ambientes que pueden ser usados por personas de todas las edades, tamaños y capacidades. Reconocemos la necesidad de realizar diseños para una amplia gama de habilidades e incapacidades físicas y mentales. Para más detalles sobre las aplicaciones de Diseño Universal de GE Appliances, incluyendo ideas de diseño de cocinas para personas con incapacidades, visite nuestro sitio web hoy. Sobre casos de incapacidad auditiva, comuníquese al 800.TDD.GEAC (800.833.4322).

Contáctenos: Comuníquese con nosotros a través de nuestro sitio Web con todos los detalles, incluyendo su número telefónico, o escríbanos a:

General Manager, Customer Relations
GE Appliances, Appliance Park Louisville, KY 40225

Accesorios

¿Busca Algo Más?

GE Appliances ofrece una variedad de accesorios para mejorar sus experiencias de cocción y mantenimiento!

Para realizar una orden, visítenos a través de Internet en:

www.GEApplianceParts.com (EE.UU.) o en www.GEAppliances.ca (Canadá)

o llame al **800.626.2002** (EE.UU.) **800.661.1616** (Canadá)

Estos y otros productos están disponibles:

Accesorios

| | |
|---|---|
| Olla para Asar Pequeña (8 ¾" x 1 ¼" x 13 ½") | WB48X10055 (EE.UU.) 222D2097G001 (Canadá) |
| Olla para Asar Grande* (12 ¾" x 1 ¼" x 16 ½") | WB48X10056 (EE.UU.) 222D2097G002 (Canadá) |
| Olla para Asar Extra Grande* (17 ¾" x 1 ¼" x 19 ½") | WB48X10057 (EE.UU.) No disponible en Canadá |

Piezas

| | |
|---------------------|---|
| Estantes del horno | Los números de pieza varían según el modelo |
| Elementos del horno | Los números de pieza varían según el modelo |
| Lámparas de luz | Los números de pieza varían según el modelo |
| Sonda | Los números de pieza varían según el modelo |

Suministros de Limpieza

| | |
|--|------------|
| Limpiadores de Acero Inoxidable CitriShine | WX10X10007 |
| Limpiador de Electrodomésticos de Acero Inoxidable CeramaBryte | PM10X311 |
| Lubricante de Grafito | WB02T10303 |

*La olla para asar grande no entra en cocinas de 20"/24".

**La olla XL no entra en hornos de pared de 24", empotrables de 27" o cocinas de 20"/24".

Cómo Retirar la Película Protectora de Envío y la Cinta de Embalaje

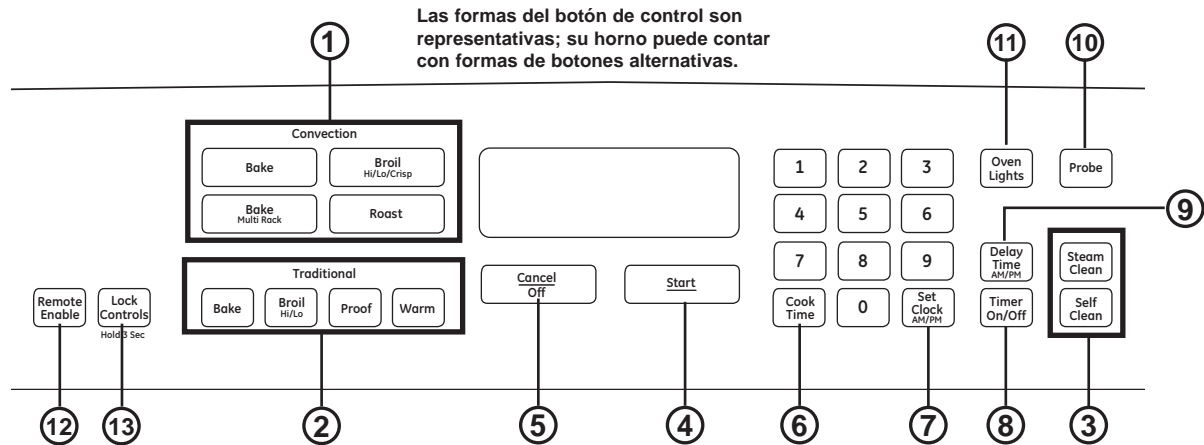
Con cuidado tome un extremo de la película protectora de envío con los dedos y lentamente retire la misma de la superficie del electrodoméstico.

No utilice ningún producto filoso para retirar la película. Retire toda la película antes de usar el electrodoméstico por primera vez.

Para asegurar que no haya daños sobre el acabado del producto, la forma más segura de retirar el adhesivo de la cinta de embalaje en electrodomésticos nuevos es aplicando un detergente líquido hogareño para lavar platos. Aplique con una tela suave y deje que se seque.

NOTA: El adhesivo deberá ser eliminado de todas las partes. No se puede retirar si se hornea con éste dentro.

Horno de Pared Simple



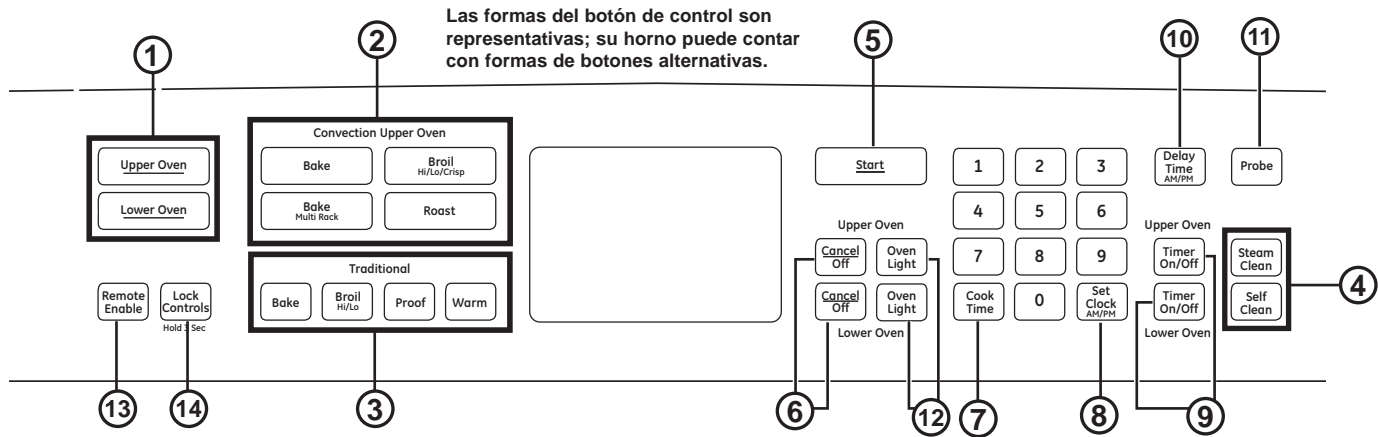
- 1. Convection Cooking Modes (Modos de Cocción por Convección):** Los modos de cocción por convección utilizan una circulación de aire incrementada para mejorar el rendimiento. El tipo de beneficio depende del modo. Su horno cuenta con los siguientes modos de cocción por convección: Bake (Hornear), Bake Multi Rack (Hornear en Estantes Múltiples), Roast (Dorar), Broil Hi (Asar Alto), Broil Lo (Asar Bajo) y Broil Crisp (Asar Crocante). Para más información, consulte la sección de Modos de Cocción.
- 2. Traditional Cooking Modes (Modos de Cocción Tradicionales):** Su horno cuenta con los siguientes modos de cocción tradicionales: Bake (Hornear), Broil Hi (Asar Alto), Broil Lo (Asar Bajo), Proof (Leudar) y Warm (Calentar). Para más información, consulte la sección de Modos de Cocción.
- 3. Clean (Limpieza):** El horno cuenta con dos modos de limpieza: Self Clean (Limpieza Automática) y Steam Clean (Limpieza con Vapor). Para acceder a información importante sobre el uso de estos modos, consulte la sección de Limpieza del Horno.
- 4. Start (Iniciar):** Se deberá presionar para comenzar cualquier función de cocción, limpieza o por tiempo.
- 5. Cancel/Off (Cancelar/ Apagar):** Cancelar TODAS las operaciones del horno excepto el reloj y el temporizador.
- 6. Cook Time (Tiempo de Cocción):** Cuenta el tiempo de cocción y apaga el horno cuando el tiempo de cocción está completo. Presione la tecla **Cook Time (Tiempo de Cocción)**, use las teclas numéricas para **programar un tiempo de cocción en horas y minutos**, y luego presione **Start (Iniciar)**. Esto sólo puede ser usado con Traditional Bake (Horneado Tradicional), Convection Bake (Hornear por Convección), Convection Bake Multi (Hornear por Multi Convección), y Convection Roast (Dorar por Convección).
- 7. Clock (Reloj):** Configure la hora del reloj del horno: Presione la tecla **Clock (Reloj)** y las teclas numéricas para programar el reloj. Asegúrese de seleccionar **AM** o **PM**. Presione **Start (Iniciar)** para guardar la configuración de la hora.
- 8. Timer (Temporizador):** Funciona como un temporizador con cuenta regresiva: Presione la tecla **Timer (Temporizador)** y las teclas numéricas para **programar el tiempo en horas y minutos**. Presione la tecla **Start (Iniciar)** El horno continuará funcionando cuando la cuenta regresiva del temporizador se haya completado. Para apagar el temporizador, presione la tecla **Timer (Temporizador)**.
- 9. Delay Time (Tiempo de Retraso):** Genera un retraso cuando el horno es encendido. Use esta tecla para configurar el momento en que desea que el horno se inicie. Presione la tecla **Delay Time (Tiempo de Retraso)** y use las teclas numéricas para programar la hora del día en que desea que el horno se encienda. Presione el modo de cocción deseado y la temperatura y luego presione **Start (Iniciar)**. Si lo desea, también puede ser programado un tiempo de cocción. Esto sólo puede ser usado con Traditional Bake (Horneado Tradicional), Convection Bake

(Hornear por Convección), Convection Bake Multi (Hornear por Multi Convección), Convection Roast (Dorar por Convección) y Self-Clean (Limpieza Automática).

NOTA: Al usar la función de tiempo de retraso, las comidas que se echan a perder rápidamente, tales como leche, huevos, pescado, rellenos, ave y cerdo, no se deberán dejar reposar por más de 1 hora antes y después de la cocción. La temperatura ambiente estimula el desarrollo de bacterias nocivas. Asegúrese de que la luz del horno esté apagada, ya que el calor de la lámpara acelerará el crecimiento de bacterias nocivas.

- 10. Probe (Sonda):** Monitorea la temperatura interna de la comida y apaga el horno cuando la comida alcanza la temperatura programada. Inserte la sonda, programe el modo de cocción, y programe la temperatura de la sonda. Para más información, consulte la sección de Modos de Cocción. La sonda sólo puede ser usada con las funciones Traditional Bake (Horneado Tradicional), Convection Bake (Hornear por Convección) y Convection Roast (Dorar por Convección).
- 11. Oven Light(s) (Luz(es) del Horno):** Enciende o apaga la luz(es) del horno.
- 12. Remote Enable (Acceso Remoto) (en algunos modelos):**
CÓMO CONECTAR EL HORNO
Off (Apagado) - El horno no está conectado. Abra la aplicación y luego mantenga presionada la tecla **Remote Enable (Acceso Remoto)** durante 5 segundos para iniciar el proceso de conexión.
Slow flash (parpadeo lento) - El horno está en modo de búsqueda y está buscando una red.
Rapid flash (parpadeo rápido) - Se produjo un error durante el proceso de conexión.
Solid (Sólido) - El horno está conectado a la red y puede ser controlado en forma remota a través de un dispositivo móvil conectado cuando está en funcionamiento, pero no puede ser iniciado en forma remota.
INICIO DEL HORNO EN FORMA REMOTA
 Para poder iniciar el horno en forma remota, presione la tecla **Remote Enable (Acceso Remoto)** y el ícono **REMOTE (Remoto)** se encenderá en la pantalla. El horno puede ser iniciado ahora en forma remota con un dispositivo conectado. Abrir una puerta del horno o apagar el horno hará que se apague el ícono **REMOTE (Remoto)**. El ícono **REMOTE (Remoto)** debe estar iluminado para iniciar el horno de forma remota. No se requiere el ícono **REMOTE (Remoto)** para cambiar las configuraciones del horno o para apagar el mismo.
 Luego de usar el horno, recuerde verificar que el ícono **REMOTE (Remoto)** esté iluminado, si desea iniciar el horno de forma remota en el futuro.
- 13. Lock Controls (Controles de Bloqueo):** Bloquean el control de modo que al presionar las teclas no se activen los controles. Mantenga presionada la tecla **Lock Controls (Controles de Bloqueo)** durante tres segundos para bloquear o desbloquear el control. La función **Cancel/Off (Cancelar/ Apagar)** siempre está activa, incluso cuando el control está bloqueado.

Horno de Pared Doble



- Upper Oven and Lower Oven (Horno Superior y Horno Inferior):** Designa cuál horno usar. Presione la tecla **Upper Oven (Horno Superior)** o **Lower Oven (Horno Inferior)** para seleccionar un horno, y luego presione la tecla del modo de cocción deseado. El control del horno activará por omisión el horno superior.
- Convection Cooking Modes (Modos de Cocción por Convección):** Los modos de cocción por convección utilizan una circulación de aire incrementada para mejorar el rendimiento. El tipo de beneficio depende del modo. Su horno cuenta con los siguientes modos de cocción por convección: Bake (Hornear), Bake Multi Rack (Hornear en Estantes Múltiples), Roast (Dorar), Broil Hi (Asar Alto), Broil Lo (Asar Bajo) y Broil Crisp (Asar Crocante). Para más información, consulte la sección de Modos de Cocción.
- Traditional Cooking Modes (Modos de Cocción Tradicionales):** Su horno cuenta con los siguientes modos de cocción tradicionales: Bake (Hornear), Broil Hi (Asar Alto), Broil Lo (Asar Bajo), Proof (Leudar) y Warm (Calentar). Para más información, consulte la sección de Modos de Cocción.
- Clean (Limpieza):** El horno cuenta con dos modos de limpieza: Self Clean (Limpieza Automática) y Steam Clean (Limpieza con Vapor). Para acceder a información importante sobre el uso de estos modos, consulte la sección de Limpieza del Horno.
- Start (Iniciar):** Se deberá presionar para comenzar cualquier función de cocción, limpieza o por tiempo.
- Cancel/Off (Cancelar/ Apagar):** Cancelar TODAS las operaciones del horno excepto el reloj y el temporizador.
- Cook Time (Tiempo de Cocción):** Cuenta el tiempo de cocción y apaga el horno cuando el tiempo de cocción está completo. Presione la tecla **Cook Time (Tiempo de Cocción)**, use las teclas numéricas para **programar un tiempo de cocción en horas y minutos**, y luego presione **Start (Iniciar)**. Esto sólo puede ser usado con Traditional Bake (Horneado Tradicional), Convection Bake (Hornear por Convección), Convection Bake Multi (Hornear por Multi Convección), y Convection Roast (Dorar por Convección).
- Clock (Reloj):** Configure el tiempo del reloj del horno: Presione la tecla **Clock (Reloj)** y las teclas numéricas para programar el reloj. Asegúrese de seleccionar **AM** o **PM**. Presione **Start (Iniciar)** para guardar la configuración de la hora.
- Timer (Temporizador):** Funciona como un temporizador con cuenta regresiva: Presione la tecla **Timer (Temporizador)** y las teclas numéricas para programar el tiempo en horas y minutos. Presione la tecla **Start (Iniciar)** El horno continuará funcionando cuando la cuenta regresiva del temporizador se haya completado. Para apagar el temporizador, presione la tecla **Timer (Temporizador)**.
- Delay Time (Tiempo de Retraso):** Genera un retraso cuando el horno es encendido. Use esta tecla para configurar el momento en que desea que el horno se inicie. Presione la tecla **Delay Time (Tiempo de Retraso)** y use las teclas numéricas para programar la hora del día en que desea que el horno se encienda. Presione el modo de cocción deseado y la temperatura y luego presione **Start (Iniciar)**. Si lo desea, también puede ser programado un tiempo de cocción. Esto

sólo puede ser usado con Traditional Bake (Horneado Tradicional), Convection Bake (Hornear por Convección), Convection Bake Multi Rack (Hornear por Convección con Estantes Múltiples), Convection Roast (Dorar por Convección) y Self-Clean (Limpieza Automática).

NOTA: Al usar la función de tiempo de retraso, las comidas que se echan a perder rápidamente, tales como leche, huevos, pescado, rellenos, ave y cerdo, no se deberán dejar reposar por más de 1 hora antes y después de la cocción. La temperatura ambiente estimula el desarrollo de bacterias nocivas. Asegúrese de que la luz del horno esté apagada, ya que el calor de la lámpara acelerará el crecimiento de bacterias nocivas.

- Probe (Sonda):** Monitorea la temperatura interna de la comida y apaga el horno cuando la comida alcanza la temperatura programada. Seleccione superior o inferior, inserte la sonda, programe el modo de cocción, y programe la temperatura de la sonda. Para más información, consulte la sección de Modos de Cocción. La sonda sólo puede ser usada con las funciones Traditional Bake (Horneado Tradicional), Convection Bake (Hornear por Convección) y Convection Roast (Dorar por Convección).
- Oven Light(s) (Luz(es) del Horno):** Enciende o apaga la luz(es) del horno.
- Remote Enable (Acceso Remoto) (en algunos modelos):**
CÓMO CONECTAR EL HORNO
Off (Apagado) - El horno no está conectado. Abra la aplicación y luego mantenga presionada la tecla **Remote Enable (Acceso Remoto)** durante 5 segundos para iniciar el proceso de conexión.
Slow flash (parpadeo lento) - El horno está en modo de búsqueda y está buscando una red.
Rapid flash (parpadeo rápido) - Se produjo un error durante el proceso de conexión.
Solid (Sólido) - Ambos hornos están conectados a la red y pueden ser controlados en forma remota a través de un dispositivo móvil conectado cuando están en funcionamiento, pero no pueden ser iniciados en forma remota.
INICIO DEL HORNO EN FORMA REMOTA **REMOTE (Remoto)**
 Para poder iniciar el horno en forma remota, presione la tecla **Remote Enable (Acceso Remoto)** y el ícono **REMOTE (Remoto)** se encenderá en la pantalla. Cualquiera de los hornos puede ser iniciado ahora en forma remota con un dispositivo conectado. Abrir cualquiera de las puertas de los hornos o apagar cualquiera de los hornos hará que se apague el ícono **REMOTE (Remoto)**. El ícono **REMOTE (Remoto)** debe estar iluminado para iniciar el horno de forma remota. No se requiere el ícono **REMOTE (Remoto)** para cambiar las configuraciones del horno o para apagar el mismo.
 Luego de usar el horno, recuerde verificar que el ícono **REMOTE (Remoto)** esté iluminado, si desea iniciar un horno de forma remota en el futuro.
- Lock Controls (Controles de Bloqueo):** Bloquean el control de modo que al presionar las teclas no se activen los controles. Mantenga presionada la tecla **Lock Controls (Controles de Bloqueo)** durante tres segundos para bloquear o desbloquear el control. La función **Cancel/Off (Cancelar/ Apagar)** siempre está activa, incluso cuando el control está bloqueado.

Funciones especiales

Existen numerosas funciones especiales que se controlan a través del uso del teclado alfanumérico.

- Grados – exhibir temperatura en Fahrenheit o Celsius
- Tono de finalización – Tono de Finalización del Ciclo
- Sonido – Volumen del Tono
- Configuración – Configuración del Reloj
- Auto Receta – Conversión de Auto Receta (para Horneado por Convección)
- Apagado en 12 hrs. – Se apaga luego de 12 horas.
- Sabático – Modo Sabático
- Compensación de Temperatura – Ajusta la temperatura del horno (los hornos dobles cuentan con opciones para horno superior u horno inferior)
- Barra de Luz de Notificación – Enciende o apaga la luz indicadora
- Por Omisión – Reinicia el control a la configuración de fábrica

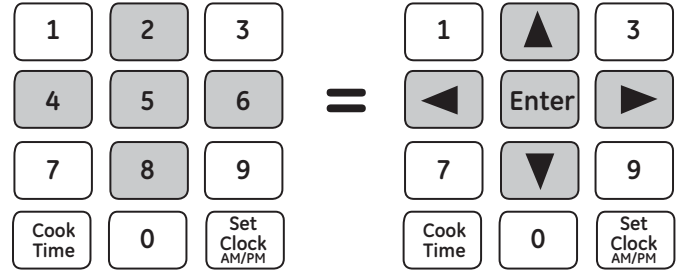
Para modificar las configuraciones de las Funciones Especiales, siga estas pautas.

Mantenga presionadas las teclas **Traditional Bake (Horneado Tradicional)** y **Traditional Broil (Asado Tradicional)** durante 3 segundos simultáneamente.

Al ingresar el modo de funciones especiales:

- Los números **2** y **8** actúan como dirección hacia arriba y hacia abajo para pasar por las funciones y sus configuraciones.
- Los números **4** y **6** actúan como direcciones de derecha e izquierda para hacer cambios hacia atrás y hacia adelante a través de las funciones, a fin de cambiar las configuraciones de estas funciones.
- El número **5** actúa como tecla de activación.

Mantenga presionadas las teclas **Traditional Bake (Horneado Tradicional)** y **Traditional Broil (Asado Tradicional)** durante 3 segundos simultáneamente para salir del modo de funciones especiales.



Por ejemplo: Ajuste de la Temperatura del Horno

1. Mantenga presionadas las teclas **Traditional Bake (Horneado Tradicional)** y **Traditional Broil (Asado Tradicional)** durante 3 segundos simultáneamente para ingresar al modo de funciones especiales.
2. Presione la tecla con el número **2** hasta que en la pantalla se lea "UPPEr tE-P oFFSEt" (Compensación de Tiempo) (los hornos de pared doble cuentan con una selección para los hornos alto y bajo).
3. Presione la tecla con el número **6** para modificar la configuración de funciones especiales.
4. Presione las teclas con los números **2** u **8** para incrementar o reducir la temperatura de a un grado Fahrenheit hasta + 35° F o hasta -35° F.
5. Presione al tecla con el número **5** para guardar el cambio deseado.
6. Presione la tecla número **4** para regresar a las demás funciones.
7. Mantenga presionadas las teclas **Traditional Bake (Horneado Tradicional)** y **Traditional Broil (Asado Tradicional)** durante 3 segundos simultáneamente para salir del modo de funciones especiales.

Funciones especiales

Selección de Temperatura (dEGrEE)

El control del horno está configurado para usar unidades de temperatura Fahrenheit, pero se puede cambiar a unidades de temperatura Celsius, si se prefiere.

Tono de Finalización del Ciclo (End tonE)

Se trata de un tono que indica el final de un tiempo. Puede cambiarlo para que tenga un tono (bEEP) o un tono con repetición continua (Con bEEP).

Volumen del Tono (SoUnd)

Esta función permite que el volumen del tono del horno sea ajustado entre alto, medio (por omisión), bajo o apagado.

Configuración del Reloj (SEtting)

Esta función especifica cómo se exhibirá la hora del día. Las opciones son el horario de un reloj estándar de 12 horas con selecciones AM y PM (12 Hr), de estilo militar de 24 horas (24 Hr), o sin que se muestre (oFF).

Conversión de Auto Receta (AUto rECiPE)

Al usar los modos de cocción Convection Bake (Hornear por Convección) o Convection Bake Multi (Horneado por Convección Múltiple), se reducirá de forma automática la temperatura de cocción programada. Se debe observar que esta opción no convierte los tiempos de horneado, sino sólo la temperatura.

Apagado en 12 Horas (12 Hr SHUtoFF)

Cuando esta función sea activada, el horno se apagará de forma automática luego de 12 horas de uso continuo.

Ajuste de la Temperatura del Horno (UPPEr tE-P oFFSEt)

(Superior e Inferior en algunos modelos)

Esta función permite que la temperatura del horno sea ajustada hasta 35° F más caliente o 35° F más fría. Use esta función si piensa que la temperatura de su horno es demasiado caliente o demasiado fría y desea modificarla. **Para los modelos con horno doble, los hornos superior e inferior se ajustan de forma separada (UPPEr tE-P oFFSEt and Lo-Er tE-P oFFSEt).** Este ajuste afecta los modos Traditional Bake (Horneado Tradicional), Convection Bake (Horneado por Convección) y Convection Bake Multi Rack (Horneado por Convección en Estantes Múltiples).

Barra de Luz de Notificación (LiGHt bAr) (en algunos modelos)

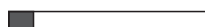
Esta función usa una barra de luz entre la puerta y el panel de control para una indicación visual fácil del avance del precalentamiento y el tiempo de cocción. Esta función puede ser encendida o apagada en las funciones especiales de su horno. Esta función se utiliza con los modos Convection Bake (Hornear por Convección), Convection Bake Multi (Hornear por Convección Múltiple), Convection Broil (Asar por Convección), Convection Roast (Dorar por Convección), Traditional Bake (Horneado Tradicional), Traditional Broil (Asado Tradicional), Warm (Caliente), Proof (Leudar), Self Clean (Limpieza Automática), Cook Time (Tiempo de Cocción) y Timer (Temporizador). En un horno de pared doble, la luz de notificación indica el funcionamiento actual del horno superior únicamente. A continuación se da una descripción de las diferentes condiciones de iluminación.



APAGADO - Ninguna función del horno o del temporizador están funcionando o la función fue apagada en las funciones especiales.



BARRA TITILANTE - El horno se está precalentando. La barra de luz titilará hasta que la temperatura configurada del horno haya sido alcanzada.



BARRA DE PROGRESO - Progresará lentamente hasta haber una barra completamente iluminada al avanzar la cuenta regresiva del contador.

NOTA: Si se usa el botón **Cook Time (Tiempo de Cocción)** la barra de luz y el horno se apagará cuando el temporizador llegue a cero. Si el botón **Timer (Temporizador)** es usado, la barra de luz permanecerá sólida cuando el tiempo llegue a cero.



BARRA SÓLIDA - El horno se encuentra en la temperatura y/o función configurada o el temporizador de su cocina se completó.

NOTA: La barra de progreso para funciones por tiempo tiene prioridad sobre las funciones sólidas o titilantes, si ambas se usan al mismo tiempo.

Por Omisión (dEFAULT)

Esta función reinicia todas las funciones especiales a las configuraciones por omisión originales del horno.

Modo Sabático (SAbbAtH)

El modo sabático desactiva las luces del horno, (la luz del horno no se encenderá cuando la puerta sea abierta y la barra de luz de notificación será desactivada), todos los sonidos (el control no emitirá un pitido cuando se presione un botón), los modos Convection (Convección), los modos Broil (Asar), Warm (Calentar), Proof (Levar), y las funciones de tiempo. El modo Sabbath (Sabático) sólo puede ser usado con la función Traditional Bake (Horneado Tradicional). Esta función se activa conforme con los requisitos Sabáticos Judíos de la Estrella K.

NOTA: Si se produce un corte de corriente mientras se encuentra en Sabbath Mode (Modo Sabático), la unidad regresará a dicho modo cuando la corriente sea restablecida.

Ingrese Sabbath Mode (Modo Sabático)

Mantenga presionadas las teclas Traditional **Bake** (Horneado Tradicional) y Traditional **Broil** (Asado Tradicional) al mismo tiempo durante tres segundos. Use la tecla 2 u 8 para pasar a través de las opciones de las funciones especiales a "SAbbAtH" (Sabático) y luego presione la tecla número 6 para permitir que la tecla 2 u 8 cambien la configuración de la función sabática de "oFF" (Apagado) a "on" (Encendido).

Presione la tecla número 5 para ingresar la selección. Mantenga presionadas las teclas Traditional **Bake** (Horneado Tradicional) y Traditional **Broil** (Asado Tradicional) durante 3 segundos para salir del modo de funciones especiales. El ícono] aparecerá en la pantalla, indicando que la unidad se encuentra en Sabbath Mode (Modo Sabático). El reloj no aparecerá.

Observe que si cuenta con un horno de pared doble, al colocar el control en el modo Sabático, ambos hornos están ahora en el modo sabático y están disponibles para la cocción.

Inicie Sabbath Bake (Horneado Sabático)

Presione Traditional **Bake** (Horneado Tradicional). El control hará que la temperatura se configure por omisión en 350°F, pero puede usar las teclas numéricas para ingresar una temperatura entre 170°F y 550°F y presionar **Start** (Iniciar). No se emitirá ningún sonido cuando las teclas sean presionadas. En un momento al azar entre los 30 segundos y 1 minuto, el ícono]] aparecerá en la pantalla indicando que el horno está en funcionamiento.

Para hornos con pared doble, ambos hornos pueden ser usados mientras se encuentra en el modo Sabbath (Sabático). Presione la tecla **Upper Oven** and **Lower Oven** (Horno Superior y Horno Inferior), antes de presionar Traditional **Bake** (Horneado Tradicional). Por omisión, el horno superior es seleccionado si la tecla **Upper Oven** and **Lower Oven** (Horno Superior y Horno Inferior) no es presionada primero. Si usará ambos hornos, espere hasta que un horno indique que está funcionando antes de iniciar el segundo horno.

Ajuste la Temperatura Durante el Horneado Sabático

Presione Traditional **Bake** (Horneado Tradicional), use las teclas numéricas para ingresar una nueva temperatura entre 170°F y 550°F, y presione Start (Iniciar). No se emitirá ningún sonido cuando las teclas sean presionadas. Debido a que no hay ninguna indicación durante el cambio de temperatura, se puede usar un termómetro para horno para confirmar cambios de temperatura.

Con hornos de pared doble, presione la tecla **Upper Oven** and **Lower Oven** (Horno Superior y Horno Inferior), antes de presionar Traditional **Bake** (Horneado Tradicional). Por omisión, el horno superior es seleccionado si la tecla **Upper Oven** and **Lower Oven** (Horno Superior y Horno Inferior) no es presionada primero. Si usará ambos hornos, espere hasta que un horno indique que está funcionando antes de iniciar o de apagar el segundo horno.

Horneado con Temporizador Durante el Modo Sabático

Si desea usar la función Cook Time (Tiempo de Cocción) para hornear en el horno y luego hacer que el horno se apague de forma automática, no ingrese el modo Sabbath (Sabático). Necesitará cambiar Cycle End Tone (Tono de Fin del Ciclo) de un pitido continuo a un pitido simple, apagar Tone Volume (Volumen del Tono), y apagar la luz del horno usando el panel de control o retirando la lámpara de luz. Luego puede programar el horno en el tiempo de cocción deseado, a través de la función de horneado.

Salga del Modo Sabático

Para finalizar un ciclo de horneado, presione **Cancel/Off** (Cancelar/ Apagar). El ícono]] cambiará al ícono], indicando que el horno se apagó.

Mantenga presionadas las teclas Traditional **Bake** (Horneado Tradicional) y Traditional **Broil** (Asado Tradicional) al mismo tiempo durante tres segundos. Use la tecla 2 u 8 para pasar a través de las opciones de las funciones especiales a "SAbbAtH" (Sabático) y luego presione la tecla número 6 para permitir que la tecla 2 u 8 cambien la configuración de la función Sabbath (Sabático) de "on (Encendido) a "oFF" (Apagado).

Presione la tecla número 5 para ingresar la selección. Mantenga presionadas las teclas Traditional **Bake** (Horneado Tradicional) y Traditional **Broil** (Asado Tradicional) durante 3 segundos para salir del modo de funciones especiales. El reloj aparecerá nuevamente indicando que el horno ya no está en Sabbath Mode (Modo Sabático).

Estantes del Horno

El horno cuenta con seis posiciones de estantes. En la Guía de Cocción, se brindan recomendaciones de posiciones de los estantes para diferentes tipos de comidas. Se ajusta un estante en una dirección para afectar los resultados de cocción. Por ejemplo, si se prefieren partes superiores más oscuras en tartas, panecillos o galletas, pruebe moviendo la comida a un estante que se encuentre una posición más arriba. Si encuentra que las comidas están demasiado doradas en la parte superior, pruebe moviendo las mismas más abajo la próxima vez.

Al hornear con múltiples ollas y en múltiples estantes, asegúrese de que haya por lo menos 11/2" entre las ollas, a fin de dejar suficiente espacio para que fluya el aire.

Estantes del Horno

Es posible que su horno cuente con estantes extensibles y/o estantes planos tradicionales.

Para evitar posibles quemaduras, coloque los estantes en la posición deseada antes de encender el horno.

Estantes Extensibles

Los estantes extensibles cuentan con la función Install (Instalar), que se bloquea en los soportes de los estantes (guías) a ambos lados. Una vez que la función Install (Instalación) queda correctamente bloqueada, siempre empuje hacia afuera el estante desde el riel frontal superior hasta la posición de detención en su máxima extensión, al colocar o retirar utensilios.

Si resulta difícil extender estos estantes, lubrique los mismos con lubricante de grafito, provisto con el horno. Retire el estante del horno, retire cualquier obstrucción en el recorrido deslizante con una toalla de papel, agite el lubricante de grafito y coloque 4 gotitas en los dos recorridos inferiores de los lados izquierdo y derecho. Abra y cierre el estante varias veces para distribuir el lubricante.

Para ordenar más lubricante de grafito, lea la sección de Asistencia y Accesorios en el comienzo de este manual.

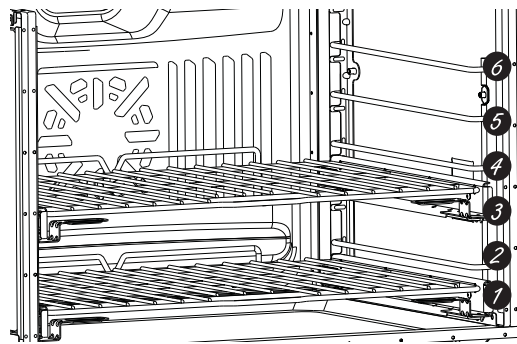
Para Retirar un Estante Extensible:

1. Asegúrese de que el estante sea empujado totalmente dentro del horno.
2. Tome el estante tanto desde su riel frontal superior como de sus manijas inferiores y levante directamente para desbloquear el estante de los soportes del estante.
3. De manera firme, mientras sostiene tanto el riel frontal superior como las manijas inferiores, empuje el estante hacia adelante. En caso de ser necesario, tome el estante sobre ambos lados. Luego retire el mismo del horno.

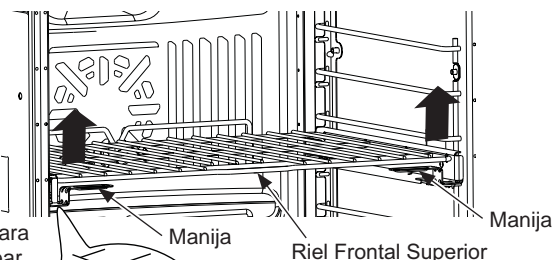
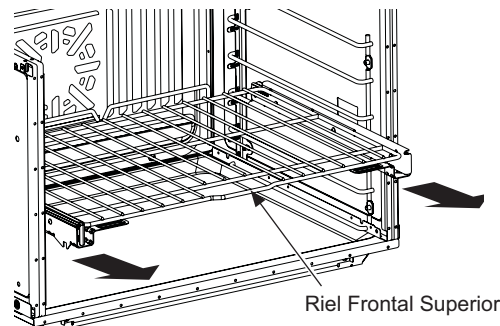
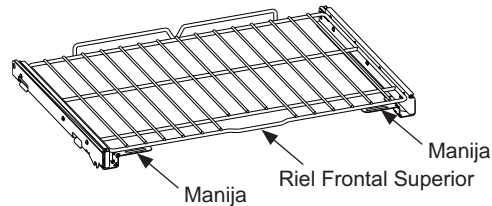
Para Reemplazar un Estante Extensible:

1. Coloque la posición trasera del estante sobre los soportes del estante (guías), como se muestra en la imagen.
2. Sostenga el riel frontal superior y las manijas inferiores y empuje el estante hasta que la función de instalación se bloquee en el soporte del estante frontal.

Si resulta difícil reemplazar o retirar los estantes extensibles, limpie los soportes de los estantes del horno con aceite de cocina. No quite el aceite de cocina del espacio de deslizamiento.

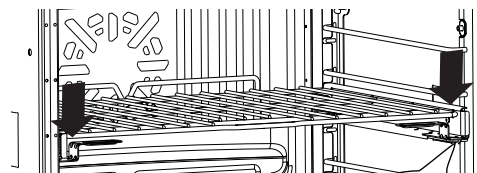


El horno tiene 6 posiciones de estantes



Levante para desbloquear desde el soporte del estante

Función de Instalación



Sostenga el riel frontal superior y las manijas inferiores y empuje el estante hasta que la función de instalación se bloquee en el soporte frontal.

Bloqueo del Estante Frontal

Estantes del Horno (cont.)

Estantes Planos Tradicionales

Los estantes poseen bloqueadores, de modo que al colocarlos correctamente sobre los soportes se detendrán antes de salirse completamente y no se inclinarán. Al colocar y retirar utensilios de cocina, empuje la parrilla hasta que se detenga.

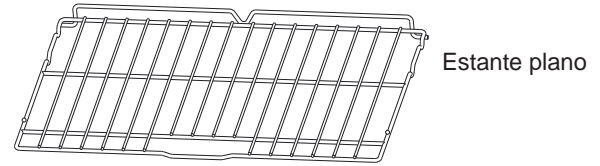
Para Retirar un Estante

Empuje el mismo hacia usted, incline el frente hacia arriba y empuje hacia afuera.

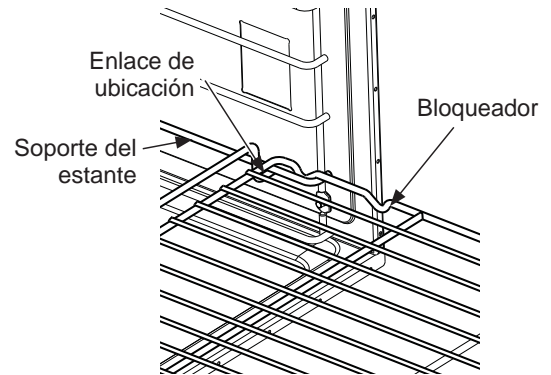
Para Reemplazar un Estante

Incline el frente del estante hacia arriba, cuelgue la parte trasera ubicando los enlaces debajo de los soportes de los estantes, empuje el estante hacia atrás (hasta trabarlo en los bloqueadores) y haga que descienda hasta su posición. Empuje el estante hasta que quede introducido completamente.

Si resulta difícil deslizar y/o retirar estantes planos, coloque un poco de aceite de cocina en una tela suave o en una toalla de papel y frote los costados del estante y cada soporte del mismo.



Estante plano



⚠ PRECAUCIÓN

Tenga cuidado al retirar un estante de la posición más baja, ya que la puerta podrá estar caliente.

Papel de Aluminio y Cobertores del Horno

⚠ PRECAUCIÓN

No use ningún tipo de aluminio o cobertor de horno para cubrir el fondo del horno. Estos ítems pueden atrapar el calor o derretirse, ocasionando daños sobre el producto y el riesgo de descargas, humo o incendios. Los daños por uso inadecuado de estos ítems no están cubiertos por la garantía del producto.

Se podrá usar aluminio para evitar derrames, colocando una hoja sobre un estante inferior varias pulgadas debajo de la comida. No use más aluminio que el necesario y nunca cubra totalmente el estante de un horno con papel de aluminio. Mantenga el aluminio a por lo menos 1 1/2" de las paredes del horno, para evitar una circulación deficiente del calor.

Utensilios

Pautas de Uso de Utensilios

El material, el acabado y el tamaño de los utensilios afectan el horneado.

Las ollas oscuras, revestidas y opacas absorben el calor más rápidamente que las ollas claras y brillantes. Al usar ollas que absorben el calor más rápidamente, las comidas podrán resultar más doradas, crocantes y con una capa más gruesa.

Si utiliza utensilios oscuros y revestidos, controle la comida antes del tiempo mínimo de cocción. Si se obtienen resultados no deseados con este tipo de utensilios, considere la posibilidad de reducir la temperatura del horno en 25° F la próxima vez.

Las ollas brillantes pueden producir resultados de horneado más parejos en tortas y galletas.

Las ollas de vidrio y cerámica calientan con lentitud, pero retienen bien el calor.

Estos tipos de ollas funcionan bien con platos tales como tartas y postres con natilla.

Las ollas con aislante de aire calientan lentamente y pueden producir fondos dorados.

Mantenga los utensilios limpios para una cocción más pareja.

Modos de Cocción

Su nuevo horno posee una variedad de modos de cocción para que pueda obtener los mejores resultados. Estos modos se describen a continuación. Para acceder a recomendaciones para comidas específicas, consulte la sección de la Guía de Cocción. Recuerde que es posible que su nuevo horno funcione de manera diferente que aquel que está reemplazando.

Modos de Horneado y Dorado

Seleccione un modo para hornear y dorar basado en el tipo y cantidad de comida que está preparando. Al preparar comidas horneadas tales como tartas, galletas y masas, siempre precaliente el horno primero. Siga las recomendaciones de la receta sobre la colocación de la comida. Si no se brindan pautas, centre la comida en el horno.

Horneado Tradicional

El modo de horneado tradicional está pensado para la cocción en un solo estante. Este modo usa el calor principalmente desde el elemento inferior, pero también desde el elemento superior para cocinar la comida. Para usar este modo, presione la tecla **Bake (Hornear)** en **Traditional (Tradicional)**, ingrese una temperatura, y luego presione **Start (Iniciar)**. El precalentamiento generalmente se recomienda al usar este modo.

Horneado por Convección con Aire Directo

El modo de horneado por convección está pensado para la cocción en un solo estante. Este modo utiliza el calor del elemento inferior y también de los elementos superior y trasero, junto con el movimiento de aire directamente descendente desde la parte superior del horno, para que la cocción sea más pareja. El horno está equipado con la función Auto Recipe Conversion (Conversión de Receta Automática); de modo que no es necesario convertir la temperatura al usar este modo. Para usar este modo, presione la tecla **Bake (Hornear)** en **Convection (Convección)**, ingrese una temperatura, y luego presione **Start (Iniciar)**. El precalentamiento generalmente se recomienda al usar este modo.

Horneado por Convección en Estantes Múltiples

El modo Convection Bake Multi Rack (Horneado por Convección en Estantes Múltiples) está pensado para hornear en múltiples estantes al mismo tiempo. Este modo utiliza el calor principalmente desde el elemento trasero, pero también calienta desde los elementos superior e inferior, junto con el movimiento de aire desde el ventilador por convección para mejorar una cocción pareja. El horno está equipado con la función Auto Recipe Conversion (Conversión de Receta Automática); de modo que no es necesario convertir la temperatura al usar este modo. Es posible que el tiempo de horneado sea un poco más prolongado con estantes múltiples, en comparación con lo que se espera con un solo estante. Para usar este modo, presione la tecla **Bake Multi Rack (Horneado en Estantes Múltiples)** en **Convection (Convección)**, ingrese una temperatura, y luego presione **Start (Iniciar)**. Siempre realice el precalentamiento al usar este modo.

Dorado por Convección con Aire Directo

El modo Convection Roast (Dorado por Convección) está pensado para dorar cortes enteros de carne en un solo estante. Este modo utiliza el calor de los elementos inferior, superior y trasero, junto con el movimiento del aire directamente desde la parte superior del horno, a fin de mejorar el dorado y reducir el tiempo de cocción. No es necesario convertir la temperatura. Cuando use este modo, o si usa la sonda, controle la comida antes que el tiempo sugerido en la receta. Para usar este modo, presione la tecla **Roast (Dorar)** en **Convection (Convección)**, ingrese una temperatura, y luego presione **Start (Iniciar)**. No es necesario realizar el precalentamiento al usar este modo.

Modo para Asar

Siempre ase con la puerta cerrada. El elemento para asar en el horno es muy potente. Monitoree la comida de cerca al asar. Tenga cuidado al asar en posiciones de estantes superiores, ya que colocar la comida más cerca del elemento para asar incrementa el humo, salpicaduras y la posibilidad de que se incendien las grasas. **No se recomienda asar en el estante de la posición 6.**

Intente asar las comidas que normalmente haría a la parrilla. Ajuste las posiciones de los estantes para ajustar la intensidad del calor a la comida. Coloque las comidas más cerca del elemento para asar, cuando se desee una superficie más cocinada y un interior poco cocido. Las comidas más gruesas y las comidas cuyo interior debe ser cocinado deberían ser asadas en un estante en una posición alejada del usado para asar, o usando las funciones Tradicional Broil Lo (Asado Tradicional Bajo) o Convection Broil Lo (Asado por Convección Bajo). Para un mejor rendimiento, centre la comida debajo del elemento calentador para asar.

Asado Tradicional Alto

El modo Tradicional Broil Hi (Asado Tradicional Alto) usa calor intenso del elemento superior para soasar las comidas. Use la función Broil Hi (Asado Alto) para cortes más delgados de carne y/o comidas que prefiera que queden menos cocinadas en su interior. Para usar este modo, presione la tecla **Broil (Asar)** una vez en **Traditional (Tradicional)** y luego presione **Start (Iniciar)**. No es necesario realizar el precalentamiento al usar este modo.

Asado Tradicional Bajo

El modo Tradicional Broil Lo (Asado Tradicional Bajo) usa menos calor intenso del elemento superior para cocinar la comida completamente mientras también se realiza el dorado superficial. Use la función Broil Lo (Asado Bajo) para cortes de carne más gruesos y/o comidas que desee que queden completamente cocinadas. Para usar este modo, presione la tecla **Broil (Asar)** dos veces en **Traditional (Tradicional)** y luego presione **Start (Iniciar)**. No es necesario realizar el precalentamiento al usar este modo.

Asado por Convección Alto con Aire Directo

El modo Convection Broil Hi (Asado por Convección Alto) usa calor intenso desde el elemento superior, junto con el movimiento del aire directamente desde la parte superior del horno para mejorar la cocción y el dorado. Para usar este modo, presione la tecla **Broil (Asar)** una vez en **Convection (Convección)** y luego presione **Start (Iniciar)**. Para obtener mejores resultados, precaliente durante 5 minutos al usar este modo.

Asado por Convección Bajo con Aire Directo

El modo Convection Broil Lo (Asado por Convección Bajo) usa calor menos intenso desde el elemento superior, junto con el movimiento del aire directamente desde la parte superior del horno. Para usar este modo, presione la tecla **Broil (Asar)** dos veces en **Convection (Convección)** y luego presione **Start (Iniciar)**. Para obtener mejores resultados, precaliente durante 5 minutos al usar este modo.

Asado por Convección Crocante con Aire Directo

El modo Convection Broil Crisp (Asado por Convección Crocante) está pensado como un modo de acabado al final del ciclo de cocción, para agregar dorado superficial a un plato tal como una cazuela o una barbacoa. Para usar este modo, presione la tecla **Broil (Asar)** tres veces en **Convection (Convección)** y luego presione **Start (Iniciar)**. Monitoree la comida de cerca para evitar un dorado excesivo.

Modos de Cocción (Cont.)

Leudar

El modo Proof (Leudar) está diseñado para elevar (fermentar y leudar) masas de pan. Presione la tecla **Proof (Leudar)** y luego presione **Start (Iniciar)**. Cubra bien la masa para evitar que se seque. El pan se elevará más rápidamente que a temperatura ambiente.

Calentar

El modo Warm (Calentar) está diseñado para mantener comidas calientes hasta durante 3 horas. Para usar este modo, presione la tecla **Warm (Caliente)** y luego presione **Start (Iniciar)**. Cubra las comidas que necesitan mantener la humedad y no cubra aquellas comidas que deberían quedar crocantes. No se requiere precalentar las mismas. No use la función Warm (Calentar) para calentar comida fría, excepto galletas crujientes, papas fritas o cereales secos. También se recomienda que la comida no se mantenga caliente por más de dos horas.

Probe (Sonda)

⚠ ADVERTENCIA

El consumo de comida semicruda puede hacer que se contraigan enfermedades producidas por la comida. Use la sonda de acuerdo con las siguientes instrucciones, a fin de asegurar que todas las partes de la comida alcancen temperaturas de cocción mínimamente seguras. Puede encontrar recomendaciones de temperaturas de cocción mínimamente seguras en www.foodsafety.gov o en www.IsItDoneYet.gov.

La temperatura interna de la comida con frecuencia se usa como indicador de que está lista, especialmente al dorar o preparar carne de ave. El modo Probe (Sonda) monitorea la temperatura interna de la comida y apaga el horno cuando esta última alcanza la temperatura programada.

Controle siempre la temperatura en múltiples partes de la comida, utilizando un termómetro de comidas luego de realizar la cocción, a fin de asegurar que todas las partes de la misma hayan alcanzado una temperatura interna mínimamente segura en dicha comida.

Ubicación Correcta de la Sonda

Luego de preparar la comida y de colocarla en la olla, siga estas instrucciones para una ubicación correcta de la sonda.

- Inserte la sonda en la comida, de modo que la punta de la sonda se apoye en el centro de la parte más gruesa de la comida. Para un mejor rendimiento, la sonda debería ser completamente insertada en la comida. Si la sonda no es ubicada correctamente, es posible que no mida con precisión la temperatura de la parte más fría de la comida. Algunas comidas, particularmente las más pequeñas, no son adecuadas para la cocción con el uso de una sonda, debido a sus formas o tamaños.
- No debería tocar el hueso, la grasa ni el cartílago.
- Para cocinar un ave entera, inserte la sonda en la parte más gruesa de la pechuga.
- Para dorar sin huesos, inserte la sonda en el centro del dorado.
- Para cocinar jamón o cordero con huesos, inserte la sonda en el centro de la articulación o del músculo más bajo y largo.
- Para preparar cazuelas o platos tales como pastel de carne, inserte la sonda en el centro del plato.
- Para cocinar pescado, inserte la sonda justo arriba de la agalla en la zona más carnosa paralela a columna.

Uso de la Sonda

Para usar la sonda sin precalentamiento:

1. Inserte la sonda en la comida (consulte sobre la Ubicación Correcta de la Sonda).
2. Coloque la comida en el horno y conecte la sonda en su correspondiente tomacorriente en el horno.
3. Programe la configuración deseada para la sonda y el modo de cocción, presionando la tecla **Probe (Sonda)** e ingresando la temperatura interna deseada para la comida, luego presione la tecla de modo de cocción (**Horneado Tradicional, Horneado por Convección, o Dorado por Convección**) e ingrese la temperatura de cocción deseada.

La temperatura interna máxima de la comida que se puede configurar es 200° F.

Para usar la sonda con precalentamiento:

1. Presione la tecla del modo de cocción deseado (**Horneado Tradicional, Horneado por Convección, o Dorado por Convección**) e ingrese la temperatura de cocción deseada.
2. Inserte la sonda en la comida (consulte sobre la Ubicación Correcta de la Sonda).
3. Una vez que el horno fue precalentado, coloque la comida en el mismo y conecte la sonda en su correspondiente tomacorriente, asegurándose de que esté completamente insertada. Tenga cuidado, ya que las paredes del horno y el tomacorriente de la sonda están calientes.
4. Programe la temperatura de la sonda presionando la tecla **Probe (Sonda)** e ingresando la temperatura interna deseada para la comida. La temperatura interna máxima de la comida que se puede configurar es 200° F.

Pautas para el Cuidado de la Sonda

NOTA: algunos modelos con horno doble cuentan con una sonda sólo en el horno superior.

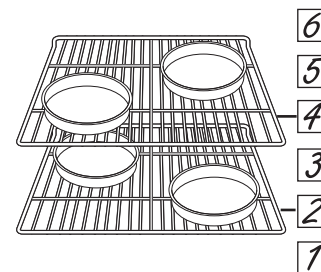
- Si se usa una sonda que no sea la provista con este producto, se podrán producir daños sobre la sonda.
- Use las manijas de la sonda al enchufar y desenchufar la misma, luego de insertar o de retirar la sonda de la carne o del tomacorriente.
- Para evitar daños sobre la sonda, no use agarraderas para empujar el cable al retirarlo.
- Para evitar romper la sonda, asegúrese de que la comida haya sido completamente descongelada antes de insertarla.
- Para evitar posibles quemaduras, no desenchufe la sonda del tomacorriente del horno hasta que este último se haya enfriado.
- Nunca deje la sonda dentro del horno durante un ciclo de limpieza automática o de limpieza con vapor.
- No guarde la sonda dentro del horno.

Guía de Cocción

| TIPO DE COMIDA | MODO(S) RECOMENDADO(S) | POSICIÓN(ES) DE ESTANTES RECOMENDADA | SUGERENCIAS ADICIONALES |
|--|--|--|--|
| Productos Horneados | | | |
| Tortas con capas, tortas rectangulares, roscas, panecillos, pan rápido en un Solo Estante | Horneado por Convección Horneado Tradicional | 3 | Use utensilios brillantes. |
| Tortas con capas* en Múltiples Estantes | Horneado Tradicional | 2 y 4 | Estante extensible en la posición más alta, si se usa. Asegúrese de que haya un flujo de aire adecuado (Vea la ilustración). |
| Tortas de grasa (pastel de ángel) | Horneado por Convección Horneado Tradicional | 1 | Use utensilios brillantes. |
| Galletas, galletitas, bizcochitos en un Solo Estante | Horneado por Convección | 3 | Use utensilios brillantes. |
| Galletas, galletitas, bizcochitos en Múltiples Estantes | Horneado por Convección Múltiples Estantes | 2 y 4 2, 3 y 5 | Use la posición 4 para 2 estantes extensibles, y la posición 3 para 3 estantes. Asegúrese de que haya un flujo de aire adecuado. |
| Bife y Cerdo | | | |
| Hamburguesas | Asado Tradicional Alto | 5 | Use el estante extensible; para hamburguesas espaciadas de forma pareja en una olla con parrilla para asar a fin de obtener una parte externa bien soasada y una parte interna poco cocida, cocine el primer lado aproximadamente 3 minutos y cocine el segundo lado aproximadamente 4 minutos. Mueva la comida hacia abajo para que quede más preparada y menos soasada. Para un mejor rendimiento, centre la comida debajo del elemento que emite calor para asar. |
| Bifes y Chuletas | Asado por Convección Alto Asado Tradicional Alto | 5 | Use una olla para asar; precaliente 5 minutos si usará el Modo para Asar por Convección. Mueva la comida hacia abajo para que quede más preparada y menos soasada. Preste atención a la comida al asarla. Para un mejor rendimiento, centre la comida debajo del elemento calentador para asar. |
| Dorados | Dorado por Convección | 2 o 3 | Use una olla chata tal como una olla para asar. No se requiere precalentarla. Use la función sonda. |
| Ave | | | |
| Pollo entero | Dorado por Convección | 2 o 3 | Use una olla chata tal como una olla para asar. Use la función sonda. |
| Pechugas, patas, muslos con huesos | Asar Alto | 1 | Si se empanó o cubrió con salsa, evite los modos Broil Hi (Asar Alto). Ase del lado de la piel hacia abajo primero. Preste atención a la comida al asarla. Para un mejor rendimiento, centre la comida debajo del elemento calentador para asar. |
| | Asado Bajo Horneado por Convección Horneado Tradicional | 3 | |
| Pechugas de pollo deshuesadas | Asado por Convección Bajo Horneado por Convección Horneado Tradicional | 3 | Precaliente durante 5 minutos si usará la Función de Asado por Convección. Mueva la comida más abajo para que quede más preparada y menos soasada y más arriba para soasar/ dorar al asar. Para un mejor rendimiento, centre la comida debajo del elemento calentador para asar. |
| Pavo entero | Dorado por Convección | 1 o 2 | Usa una olla chata tal como una olla para asar. Use la función sonda. |
| Pechuga de Pavo | Dorado por Convección | 2 o 3 | Use una olla chata tal como una olla para asar. Use la función sonda. |
| Pescado | Asado por Convección Bajo Asado Bajo | 5 (mitad del grosor o menos) 4 (>1/2 pulgada) | Precaliente 5 minutos al Asar por Convección. Preste atención a la comida al asarla. Para un mejor rendimiento, centre la comida debajo del elemento calentador para asar. |
| Cazuelas | Horneado por Convección Horneado Tradicional | 3 | Use el modo Convection Broil Crisp (Asado por Convección Crocante) durante los últimos 2 a 5 minutos del horneado para derretir/ dorar quesos o superficies crocantes. |
| Comidas Congeladas a Conveniencia | | | |
| Pizza, papas fritas, tator tots, patitas de pollo fritas, aperitivos en un Solo Estante | Horneado por Convección Horneado Tradicional | 3 | Use el modo Convection Broil Crisp (Asado por Convección Crocante) durante los últimos 2 a 5 minutos de cocción para dejar crocante la parte exterior. |
| Pizza, papas fritas, tator tots, patitas de pollo fritas, aperitivos en Múltiples Estantes | Horneado por Convección Múltiples Estantes | 2 y 4 | Si usará el modo Crisp (Crocante), coloque ambas ollas en el estante superior si el espacio lo permite; de otra forma prepare una por vez en el estante superior. |

*Al hornear cuatro tortas con capas a la vez, use los estantes 2 y 4. Coloque las ollas como se muestra, de modo que no quede una olla encima de la otra.

Cocine la comida completamente para evitar que se produzcan enfermedades a partir de la comida. Puede encontrar recomendaciones sobre temperatura mínima para cocinar de forma segura en www.IsItDoneYet.gov. Asegúrese de usar un termómetro de comidas para medir la temperatura de las mismas.



Limpieza del Horno

Asegúrese de que la corriente eléctrica esté apagada y que todas las superficies estén frías antes de limpiar cualquier parte del horno.

Panel de Control

Una buena idea es limpiar el panel de control luego de cada uso. Limpie con un jabón suave y agua o vinagre y agua, enjuague con agua limpia y pule en seco con una tela suave.

No use limpiadores abrasivos, limpiadores líquidos fuertes, almohadillas para fregar de plástico ni limpiadores de horno en el panel de control; dañarán el acabado.

Exterior del Horno

No use limpiadores de horno, limpiadores abrasivos, limpiadores líquidos fuertes, estropajos de acero, almohadillas para fregar de plástico, ni polvos limpiadores en el interior o el exterior del horno. Limpie el mismo con agua y jabón o una solución de vinagre y agua. Enjuague con agua limpia y seque con una tela seca. Al limpiar superficies, asegúrese de que estén a temperatura ambiente y fuera del contacto con

la luz solar. Si las manchas en el borde de la ventana de la puerta son persistentes, use un limpiador abrasivo suave o una esponja con estropajo para obtener un mejor resultado. El derrame de adobo, jugos de fruta, salsas de tomate y líquidos para humedecer que contengan ácidos pueden ocasionar descoloración y se deberán limpiar de inmediato. Deje que las superficies calientes se enfríen, y luego limpie y enjuague.

Superficies de Acero Inoxidable (en algunos modelos)

No use virutas de acero; éstas dañarán la superficie. Para limpiar la superficie de acero inoxidable, use agua tibia con jabón o un limpiador o pulidor para acero inoxidable. Siempre limpie la superficie en la dirección del veteado. Siga las instrucciones del limpiador para limpiar la superficie de

acero inoxidable. Para realizar consultas sobre la adquisición de productos, incluyendo limpiadores o pulidores para electrodomésticos de acero inoxidable, lea las secciones de Asistencia y Accesorios, en el comienzo de este manual.

Interior del Horno

El interior de su nuevo horno puede ser limpiado de forma manual o utilizando los modos Steam Clean (Limpieza con Vapor) o Self Clean (Limpieza Automática).

El derrame de adobo, jugos de fruta, salsas de tomate y líquidos para humedecer que contengan ácidos pueden ocasionar descoloración y se deberán limpiar de inmediato. Espere a que las superficies calientes se enfríen, y luego limpie y enjuague.

Limpieza Manual

No use limpiadores de horno, limpiadores abrasivos, limpiadores líquidos fuertes, estropajos de acero, almohadillas para fregar, ni polvos limpiadores en el interior del horno. Limpie el mismo con agua y jabón o una solución de vinagre y agua. Enjuague con agua limpia y seque con una tela seca. Al limpiar superficies, asegúrese de que estén a temperatura ambiente y fuera del contacto con la luz solar.

Modo de Limpieza con Vapor

La limpieza con vapor está pensada para limpiar pequeños derrames usando agua y a una temperatura de limpieza más baja que la función Self-Clean (Limpieza Automática).

Para usar la función Steam Clean (Limpieza con Vapor), limpie las grasas y suciedades del horno. Vierta una taza de agua en la parte inferior del horno. Cierre la puerta. Presione la tecla **Steam Clean (Limpieza con Vapor)** y luego presione **Start (Iniciar)**. La puerta del horno se trabará. No podrá abrir la puerta durante los 30 minutos de la limpieza con vapor, ya que esto reducirá su rendimiento. Al finalizar el ciclo de limpieza al vapor, la puerta se destrabará. Limpie cualquier exceso de agua y cualquier suciedad que haya quedado.

Modo de Limpieza Automática

Lea las Instrucciones de Seguridad del Horno con Limpieza Automática, en el comienzo de este manual antes de usar el modo Self Clean (Limpieza Automática).

IMPORTANTE: Las emanaciones producidas por el ciclo de autolimpieza de cualquier horno afectan la salud de algunas aves de manera notoria. Procure llevar sus aves a otra habitación bien ventilada.

Este modo usa temperaturas muy altas para limpiar el interior del horno. Cuando use esta función, la puerta del horno se trabará. Antes de utilizar el ciclo de limpieza automática, limpie la grasa y restos de comida que haya en el horno. Retire todos los artículos del horno, excepto los estantes esmaltados (color oscuro). Los estantes brillantes o de plata, la sonda de carnes, y cualquier utensilio u otros artículos deberían ser retirados del horno antes de iniciar un ciclo de limpieza automática. Cierre la puerta. Presione la tecla **Self Clean (Limpieza Automática)** y se exhibirá un tiempo de limpieza automática por omisión. El tiempo de limpieza puede ser modificado en cualquier momento entre las 3:00 y las 5:00 horas, usando las teclas numéricas para ingresar un tiempo diferente y presionando **Start (Iniciar)**. Si desea usar el tiempo por omisión, presione la tecla **Start (Iniciar)** inmediatamente luego de presionar la tecla **Self Clean (Limpieza Automática)**. El horno se apagará de forma automática cuando el ciclo de limpieza automática sea completado. La puerta permanecerá bloqueada hasta que el horno se haya enfriado. Una vez que el horno se haya enfriado, limpie cualquier ceniza que haya quedado en el horno.

En modelos de horno doble, se puede programar un ciclo de limpieza de ambos hornos al mismo tiempo. El último horno retrasará de forma automática su comienzo hasta el final del ciclo de limpieza del primer horno.

Estantes del Horno

Los estantes que fueron provistos con el horno (estantes oscuros esmaltados, no brillantes) pueden permanecer en el horno durante el ciclo de limpieza automática, ya que este ciclo no los dañará.

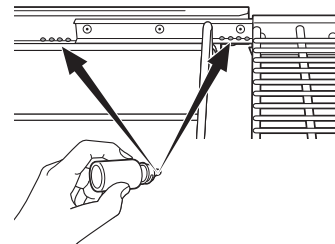
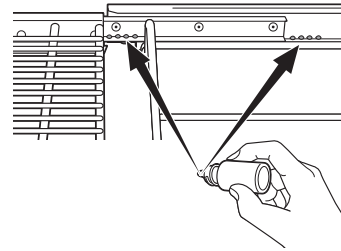
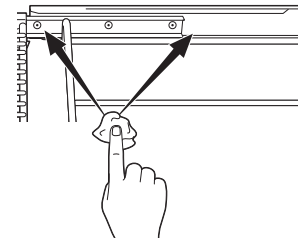
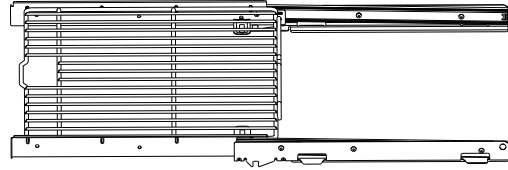
Para limpiar los estantes de forma manual, use agua caliente y jabón. Asegúrese de no lavar el espacio de deslizamiento de un estante extensible.

Si resulta difícil retirar los estantes del horno, coloque un poco de aceite vegetal en una tela seca o toalla de papel y frote sobre los soportes de los estantes del horno. No limpie el aceite en el espacio de deslizamiento del estante extensible.

De forma periódica, luego de varios ciclos de limpieza automática, los espacios de deslizamiento del estante extensible deberán ser lubricados utilizando lubricante de grafito, enviado junto con su horno de pared. Para ordenar más lubricante de grafito, lea la sección de Asistencia y Accesorios en el comienzo de este manual.

1. Retire el estante extensible del horno. Consulte la sección de Estantes Extensibles del Horno.
2. Extienda totalmente el estante sobre una mesa o mesada. Se podrá colocar papel de periódico debajo del estante para una limpieza fácil.
3. Si hay restos en las pistas de deslizamiento, limpie los mismos con una toalla de papel. **NOTA:** Cuando el lubricante de grafito se haya acabado, deberá ser reemplazado.
4. Agite el lubricante de grafito antes de abrir el mismo. Comenzando con el mecanismo de deslizamiento del lado izquierdo del estante, coloque cuatro (4) gotas pequeñas de lubricante en los dos (2) espacios inferiores de deslizamiento, cerca de los rulemanes de apoyo.
5. Repita esto sobre el mecanismo del lado derecho del estante.
6. Abra y cierre el estante varias veces para distribuir el lubricante.
7. Reemplace la tapa del lubricante y agite el mismo nuevamente. Dé vuelta el estante y repita los pasos 3, 4, 5 y 6.
8. Cierre el estante, gire el estante con el lado derecho hacia arriba y coloque el mismo en el horno. Consulte la sección de Estantes Extensibles del Horno..
9. Repita los pasos anteriores con cada estante.

NOTA: No rocíe con esprái de cocina o cualquier otro lubricante en esprái

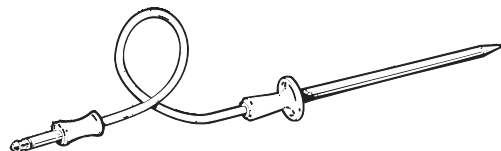


Sonda

La sonda de temperatura se puede limpiar con agua y jabón o con una almohadilla de estropajo llena de jabón. Enfríe la sonda de temperatura antes de su limpieza. Fregue las manchas difíciles con una almohadilla de estropajo llena de jabón, enjuague y seque.

Para ordenar más sondas de temperatura, lea la sección de Asistencia y Accesorios en el comienzo de este manual.

- No sumerja la sonda de temperatura en agua.
- No guarde la sonda de temperatura dentro del horno.
- Nunca deje la sonda de temperatura dentro del horno durante un ciclo de limpieza automática o de limpieza con vapor.



Mantenimiento

Reemplazo de la Lámpara del Horno

⚠️ ADVERTENCIA PELIGRO DE DESCARGA O QUEMADURAS: Antes de reemplazar la lámpara de luz del horno, desconecte la conexión eléctrica del horno del fusible principal o del panel del disyuntor. Si esto no se cumple, se podrá producir una descarga eléctrica o un incendio.

⚠️ PRECAUCIÓN RIESGO DE INCENDIO: La tapa de vidrio y la lámpara de luz se deberán retirar cuando estén frías. Tocar el vidrio caliente sin protección en las manos o con un trapo húmedo puede ocasionar quemaduras.

1. Desconecte la corriente desde el fusible principal o el panel del disyuntor.
2. Retire los estantes del horno.
3. Deslice un destornillador de punta plana entre la caja y la tapa de luz de vidrio.
4. Apoye la tapa de luz de vidrio con dos dedos para evitar que se caiga al fondo del horno. Tenga cuidado de no astillar la cubierta del horno.
5. De forma suave, gire la punta del destornillador para aflojar la tapa de luz de vidrio.
6. Retire la tapa de luz de vidrio.
7. Retire la lámpara sosteniendo firmemente y deslizando la misma hacia afuera, hasta que las dos clavijas hayan dejado el soporte de cerámica.
8. No toque el vidrio de la nueva lámpara con los dedos. Esto hará que la lámpara falle al dar luz. Tome la lámpara de reemplazo con una toalla limpia o un pañuelo de papel con las clavijas hacia abajo. Alíñe las dos clavijas en el soporte de cerámica, presionando suavemente hasta que la lámpara quede asegurada en la ficha de cerámica.
9. Deslice las lentes protectoras del soporte y presione hasta que las pinzas queden enganchadas en la caja.
10. Vuelva a conectar la corriente.

Puerta del Horno Desmontable

La puerta es muy pesada. Tenga cuidado al retirar y levantar la puerta.

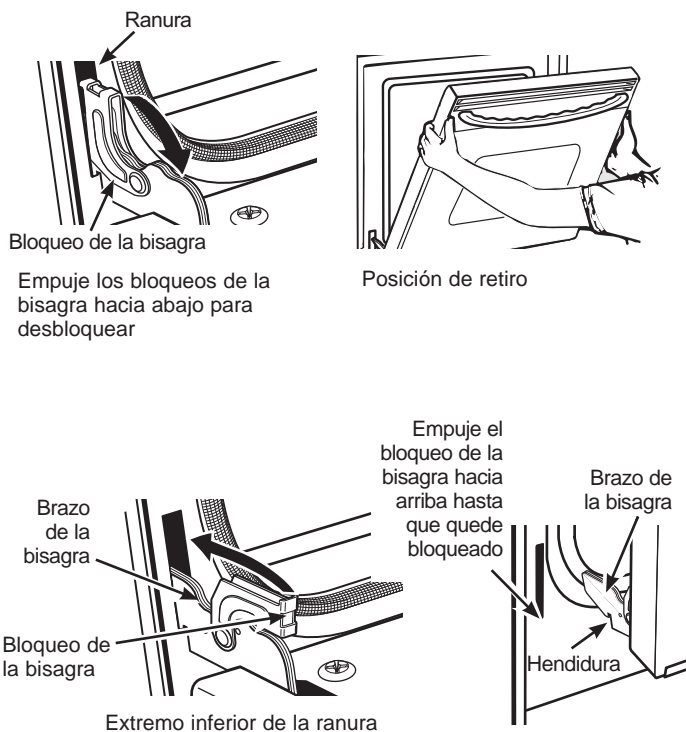
No levante la puerta usando la manija.

Para retirar la puerta:

1. Abra la puerta totalmente.
2. Empuje los bloqueos de la bisagra hacia abajo en dirección a la estructura de la puerta, hasta la posición desbloqueada. Es posible que necesite una herramienta tal como un destornillador pequeño de punta plana.
3. Firmemente tome ambos lados de la puerta por la parte superior.
4. Cierre la puerta hasta la posición de retiro de la misma. La puerta debería ser abierta aproximadamente a 3", sin obstrucción sobre la misma.
5. Levante la puerta hacia arriba y afuera, hasta que los brazos de las bisagras queden fuera de las ranuras.

Para reemplazar la puerta:

1. Firmemente tome ambos lados de la puerta por la parte superior.
2. Comenzando desde el lado izquierdo, con la puerta en el mismo ángulo de la posición de retiro, apoye la hendidura del brazo de la bisagra en el extremo inferior de la ranura de la bisagra. La abertura en el brazo de la bisagra deberá estar totalmente apoyada en la parte inferior de la ranura. Repita el procedimiento del lado derecho.
3. Abra la puerta totalmente. Si la puerta no se abre totalmente, la hendidura no está correctamente apoyada en el extremo inferior de la ranura.
4. Empuje los bloqueos de la bisagra contra la estructura frontal de la cavidad del horno, hasta la posición de bloqueo.
5. Cierre la puerta del horno.






Consejos para la Solución de Problemas... Antes de solicitar el servicio técnico

¡Ahorre tiempo y dinero! Primero revise los cuadros que aparecen en las siguientes páginas y es posible que no necesite solicitar reparaciones.

| Problema | Causa Posible | Qué Hacer |
|--|---|--|
| Mi horno nuevo no cocina como el anterior. ¿Hay algún problema con las configuraciones de temperatura? | Su horno nuevo cuenta con un sistema de cocción diferente con relación al anterior y, por lo tanto, es posible que cocine de forma diferente. | En los primeros usos, use los tiempos y temperaturas de su receta con cuidado. Si aún piensa que su horno nuevo cocina con demasiado calor o demasiado frío, podrá ajustar el termostato usted mismo para aplicar su preferencia de cocción específica. Para ajustar la temperatura del horno, consulte la sección de Funciones Especiales. NOTA: Este ajuste afecta las temperaturas de los modos Traditional Bake (Horneado Tradicional), Convection Bake (Hornear por Convección) y Convection Bake Multi (Horneado por Convección Múltiple); éste no afectará los modos Convection Roast (Dorar por Convección), Traditional Broil (Asado Tradicional), Convection Broil (Asar por Convección) o Clean (Limpiar). |
| La comida no se hornea de forma apropiada | Controles del horno configurados de forma incorrecta. | Consulte la sección Modos de Cocción. |
| | La posición del estante es incorrecta o el estante no está nivelado. | SeConsulte la sección Modos de Cocción y la Guía de Cocción. |
| | Uso de una cacerola incorrecta o de una cacerola de tamaño incorrecto. | Consulte la sección Utensilios. |
| | La temperatura del horno debe ser ajustada. | Consulte la sección Funciones Especiales. |
| | Sustitución de ingredientes | Sustituir ingredientes puede modificar el resultado de la receta. |
| La comida no asa de forma apropiada | Controles del horno configurados de forma incorrecta. | Asegúrese de seleccionar el modo correcto para asar. NOTA: El modo para cocción crocante por convección no es para asar comidas. |
| | Se usó una posición incorrecta del estante. | Para acceder a sugerencias de ubicación de estantes, consulte la Guía de Cocción. |
| | Se cocinó comida en una olla caliente. | Asegúrese de que el utensilio esté frío |
| | Utensilio de cocina inadecuado para asar. | Use una olla específicamente diseñada para asar |
| | El papel de aluminio usado para la olla y la rejilla para asar no se ajustó ni cortó de forma apropiada, según lo recomendado. | Si usará papel de aluminio, deberá usarse conforme con las aberturas de la olla. |
| | En algunas áreas, es posible que el nivel de corriente (voltaje) sea bajo. | Precalente el elemento para asar durante 10 minutos. |
| La temperatura del horno es demasiado caliente o demasiado fría | La temperatura del horno debe ser ajustada. | Consulte la sección Funciones Especiales. |
| El horno no funciona o parece no funcionar | Es posible que un fusible de su hogar se haya quemado o que el disyuntor se haya desconectado. | Reemplace el fusible o reinicie el disyuntor. |
| | Controles del horno configurados de forma incorrecta. | Consulte la sección Uso del Horno. |
| | El horno se encuentra en Sabbath Mode (Modo Sabático) | Verifique que el horno no esté en Sabbath Mode (Modo Sabático). Consulte la sección Funciones Especiales. |
| Sonido de “chisporroteo” o “traqueo” | Éste es el sonido de metal calentándose o enfriándose durante las funciones de cocción y limpieza.. | Esto es normal. |
| ¿Por qué la estufa hace un sonido de “clic” cuando uso el horno? | Su estufa fue diseñada para mantener un control más ajustado sobre la temperatura del horno. Es posible que escuche que los elementos de calentamiento del horno hagan sonidos de “clic” con mayor frecuencia que con hornos más antiguos para lograr mejores resultados durante los ciclos de horneado, asado, convección y limpieza automática. | Esto es normal. |
| El reloj y el temporizador no funcionan | Es posible que un fusible de su hogar se haya quemado o que el disyuntor se haya desconectado. | Reemplace el fusible o reinicie el disyuntor. |

Consejos para la Solución de Problemas... Antes de solicitar el servicio técnico

| Problema | Causa Posible | Qué Hacer |
|--|--|--|
| La luz del horno no funciona | La lámpara está floja o presenta defectos. | Ajuste o reemplace la lámpara. |
| | La luz de funcionamiento del interruptor está rota. | Llame al servicio técnico. |
| El modo de limpieza automática del horno no funciona | La temperatura del horno es demasiado caliente como para configurar la limpieza automática. | Espere a que el horno se enfríe y reinicie los controles. |
| | Los controles del horno están configurados de forma incorrecta. | Consulte la sección de Limpieza del Horno. |
| Exceso de humo durante un ciclo de limpieza | Suciedad o grasa excesiva. | Presione la tecla Cancel/Off (Cancelar/ Apagar) Abra las ventanas para liberar el humo en la habitación. Espere hasta que la luz de la función LOCKED (Bloqueado) desaparezca. Limpie el exceso de suciedad y reinicie el ciclo de limpieza. |
| Humo excesivo al asar | La comida está demasiado cerca del quemador. | Baje la posición del estante con comida. |
| La puerta del horno no se abrirá luego de un ciclo de limpieza | El horno está demasiado caliente. | Espere a que el horno se enfríe por debajo de la temperatura de bloqueo. |
| El horno no limpia luego de un ciclo de limpieza | Los controles del horno están configurados de forma incorrecta. | Consulte la sección de Limpieza del Horno. |
| | El horno estaba demasiado sucio. | Limpie derrames excesivos antes de iniciar el ciclo de limpieza. Es posible que, en hornos con mucha suciedad, sea necesario usar la limpieza automática nuevamente o usarla durante un período de tiempo más prolongado. |
| "DOOR  titila en la pantalla | El ciclo de limpieza automática fue seleccionado pero la puerta no está cerrada. | Cierre la puerta del horno. Espere a que la puerta del horno finalice el bloqueo. |
| | "DOOR  (Puerta) titilará mientras la puerta del horno está bloqueada para iniciar el ciclo de autolimpieza y vapor. | Esto es normal. |
| La luz "DOOR  está encendida cuando desea cocinar. | La puerta del horno está bloqueada debido a que la temperatura interior del horno no descendió por debajo de la temperatura de bloqueo. | Presione la tecla Cancel/Off (Cancelar/ Apagar) Deje que el horno se enfríe. |
| "F – y un número o letra" titila en la pantalla | Tiene un código de error de función. | Presione la tecla Cancel/Off (Cancelar/ Apagar) Permita que el horno se enfríe durante una hora. Vuelva a poner el horno en funcionamiento. |
| | Si el código de función se repite. | Desconecte totalmente la corriente de la cocina durante por lo menos 30 minutos y vuelva a conectar la misma. Si el código de error de función se repite, llame al servicio técnico. |
| La pantalla queda en blanco | Es posible que un fusible de su hogar se haya quemado o que el disyuntor se haya desconectado. | Reemplace el fusible o reinicie el disyuntor. |
| | El reloj está apagado. | Consulte la sección Funciones Especiales. |
| | El horno se encuentra en Sabbath Mode (Modo Sabático).. | Verifique que el horno no esté en Sabbath Mode (Modo Sabático). Consulte la sección Funciones Especiales. |
| Corte de corriente, el reloj titila | Corte o exceso de corriente | Reinicie el reloj. Si el horno estuvo en uso, deberá reiniciar el mismo presionando la tecla Cancel/ Off (Cancelar/ Apagar) configurando el reloj y reiniciando cualquier función de cocción. |
| Olor a "quemado" o "aceite" desde la ventilación | Esto es normal en un horno nuevo y desaparecerá con el tiempo. | Para acelerar el proceso, configure un ciclo de limpieza automática por un mínimo de 3 horas. Consulte la sección de Limpieza del Horno. |
| Olor fuerte | Un olor en la aislación alrededor del interior del horno es normal desde las primeras veces en que el horno es usado. | Esto es temporario y desaparecerá luego de varios usos o de un ciclo de limpieza automática. |
| Ruido del ventilador | Es posible que un ventilador de enfriamiento se active automáticamente. | Esto es normal. El ventilador de enfriamiento se encenderá para enfriar las partes internas. Es posible que funcione hasta durante una hora y media, una vez que el horno se haya apagado. |
| La puerta de vidrio del horno parece estar "teñida" o tener un color "arcoíris". ¿Es esto un defecto? | No. El vidrio del horno interno está cubierto con una barrera de calor que refleja este último nuevamente hacia el horno, a fin de evitar la pérdida de calor y de mantener fría la puerta externa mientras se hornea. | Esto es normal. Bajo ciertas luces y ángulos, es posible que visualice esta tinta o arcoíris. |

Consejos para la Solución de Problemas... Antes de solicitar el servicio técnico

| Problema | Causa Posible | Qué Hacer |
|--|---|---|
| A veces el horno tarda más en precalentarse a la misma temperatura | Utensilio o comida en el horno | El utensilio o la comida en el horno hará que éste tarde más en precalentarse. Retire estos artículos para reducir el tiempo de precalentamiento. |
| | Número de estantes en el horno | Agregar más estantes al horno hará que éste tarde más en precalentarse. Retire algunos estantes. |
| | Diferentes modos de cocción | Los diferentes modos de cocción utilizan diferentes métodos de precalentamiento para calentar el horno en un modo de cocción específico. Algunos modos tardarán más que otros (tales como: horneado por convección múltiple). |
| El horno no funciona en forma remota | Problemas en el enrutador, no hay señal inalámbrica, etc. | Para solicitar asistencia con la conectividad de red inalámbrica, comuníquese al 1-800-220-6899. |
| | El horno no está conectado. | |